

ADVATEK

L I G H T I N G

PixLite T8-S Mk3 User Manual



1 - Table of Contents

1 - Table of Contents	2
2 - Introduction	4
2.1 - Management & Configuration	4
3 - Safety Notes	5
4 - Physical Installation	6
4.1 - Wall/Ceiling/Universal Mount	6
4.2 - Direct Panel Mount	8
4.3 - 19" Rack Mount	10
4.3.1 - Single Controller Configuration	11
4.3.2 - Dual Controller Configuration	12
5 - Electrical Connections	15
5.1 - Supplying Power	15
5.2 - Control Data	15
5.3 - Connecting the Transmitter to Receivers	16
5.4 - Expanded Mode	17
6 - Network Configuration	19
6.1 - Network Layout Options	19
6.2 - IGMP Snooping	20
6.3 - Dual Gigabit Ports	20
6.4 - IP Addressing	21
6.4.1 - DHCP	21
6.4.2 - AutoIP	21
6.4.3 - Static IP	22
6.4.4 - Factory IP Address	22
7 - Operation	24
7.1 - Start-up	24
7.2 - Sending Ethernet Data	24
7.3 - Data Outputs	24
7.4 - Aux Port	25
7.5 - Button Actions	25

7.6 - Hardware Test Pattern	26
7.7 - Operating Refresh Rates	27
8 - Firmware Updates	28
8.1 - Updating via the Management Interface	28
9 - Specifications	29
9.1 - Operating Specifications	29
9.1.1 - Power	29
9.1.2 - Thermal	29
9.2 - Physical Specifications	29
9.3 - Electrical Fault Protection	30
10 - Troubleshooting	31
10.1 - LED Codes	31
10.2 - Statistical Monitoring	33
10.3 - Solutions for Common Issues	33
10.4 - Other Issues	33
10.5 - Reset to Factory Defaults	34
11 - Disclaimer	35

2 - Introduction

This is the user manual for the PixLite T8-S Mk3 pixel controller. The PixLite T8-S Mk3 is a powerful pixel LED controller built upon Advatek’s 3rd generation PixLite Mk3 processor. At its core, the controller converts sACN, Art-Net and DMX512 protocols from lighting consoles, media servers or computer lighting software into various pixel LED protocols. With the PixLite Mk3 processor, the PixLite T8-S Mk3 brings powerful operational functionality and advanced management platforms.

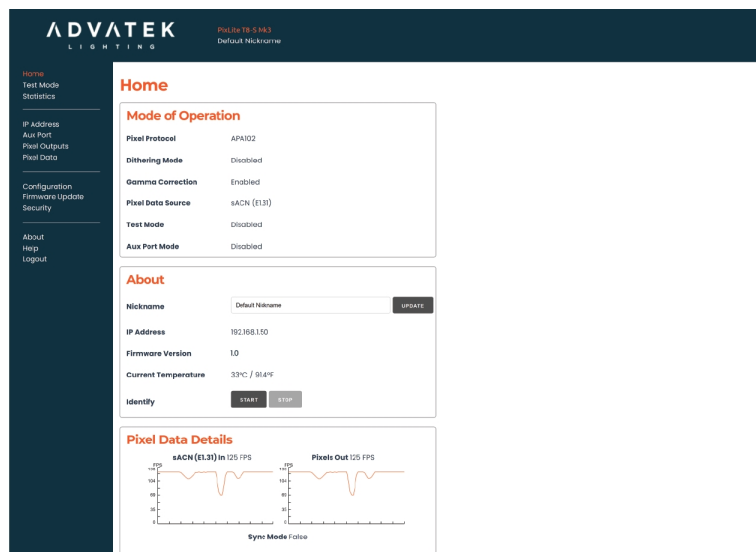
2.1 - Management & Configuration

This manual covers physical aspects of the PixLite T8-S Mk3 controller and its essential setup steps only. Detailed information about its configuration options can be found in the ‘PixLite Mk3 Management Guide’.

Configuration, management, and monitoring of this device can be performed either via the web-based Management Interface or using Advatek Assistant 3*. To access the interface, open any web browser and navigate to the IP address of the device.

**At the time of writing this user manual, Advatek Assistant 3 has not been released. The method to manage the device is via the Management Interface only at this stage.*

Figure 1: Management Interface Home Page



Other manuals and the PixLite Mk3 Management Guide may be downloaded from:

www.advateklights.com/downloads

3 - Safety Notes

Specification and certification markings are located on the rear of the device.

The device shall be connected to a mains socket outlet with a protective earthing connection. The plug on the power supply cord is used as the disconnect device, so the socket-outlet shall be easily accessible.

Power to the device is protected by a 250V 1A glass fuse (FIA L 250V). This fuse should only be replaced by someone with proper technical knowledge or instruction.

For more information on supplying power, see [Section 1.1](#).

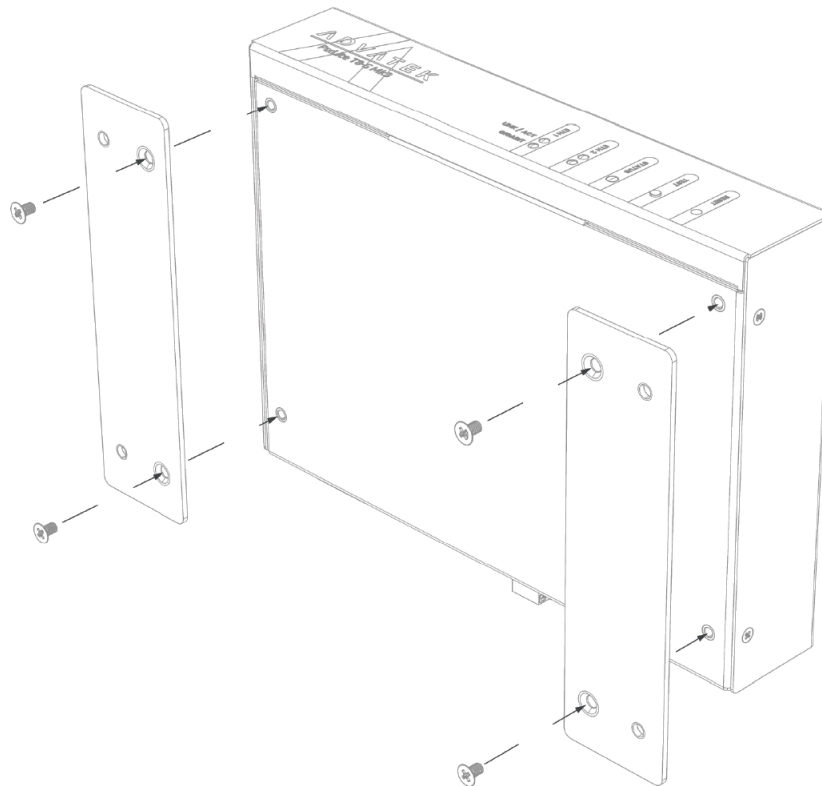
4 - Physical Installation

4.1 - Wall/Ceiling/Universal Mount

Use the optional mounting kit (part number MNT0301) to attach the controller to a wall or ceiling.

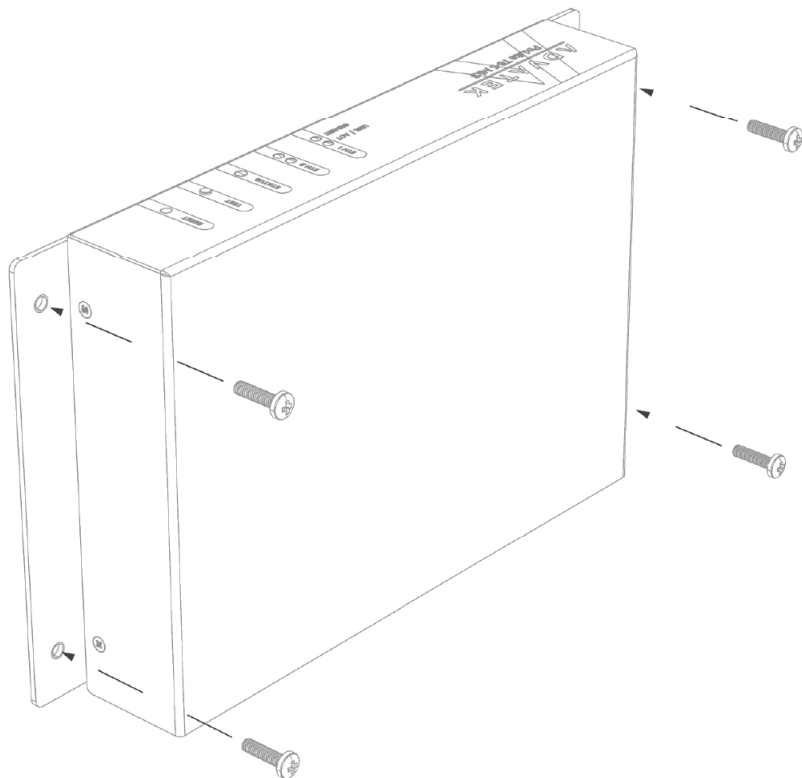
1. Align the two plates in the mounting kit with the mounting holes on the bottom side of the controller. Ensure the countersunk holes on the mounting plates are aligned with the controller's mounting holes.
2. Assemble the mounting plates onto the controller using the screws supplied with the mounting kit, as shown in [Figure 2](#) below.

Figure 2: Mounting Plates Assembled to Controller



3. Assemble the unit onto the wall / ceiling using four screws of a type suitable for the mounting surface (not supplied), as shown in [Figure 3](#) below. The screws should be a pan head type, 4mm in thread diameter and at least 10mm long.

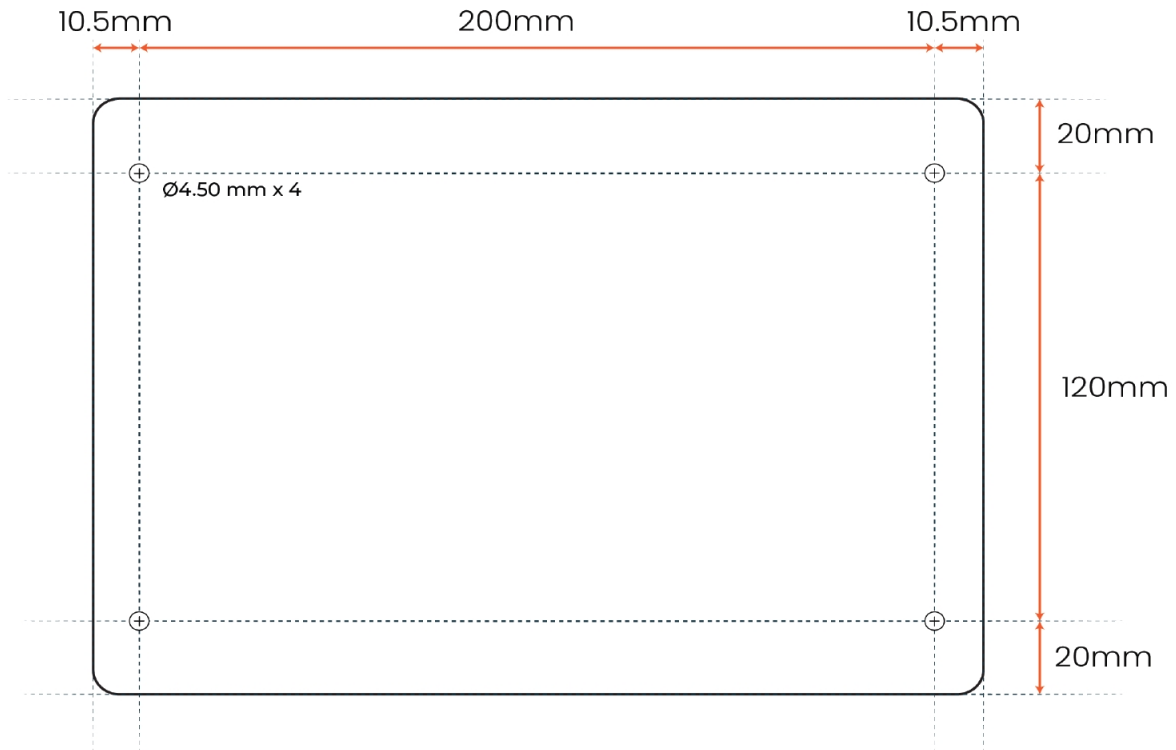
Figure 3: Mounting Plates Assembled to Wall/Ceiling



4.2 – Direct Panel Mount

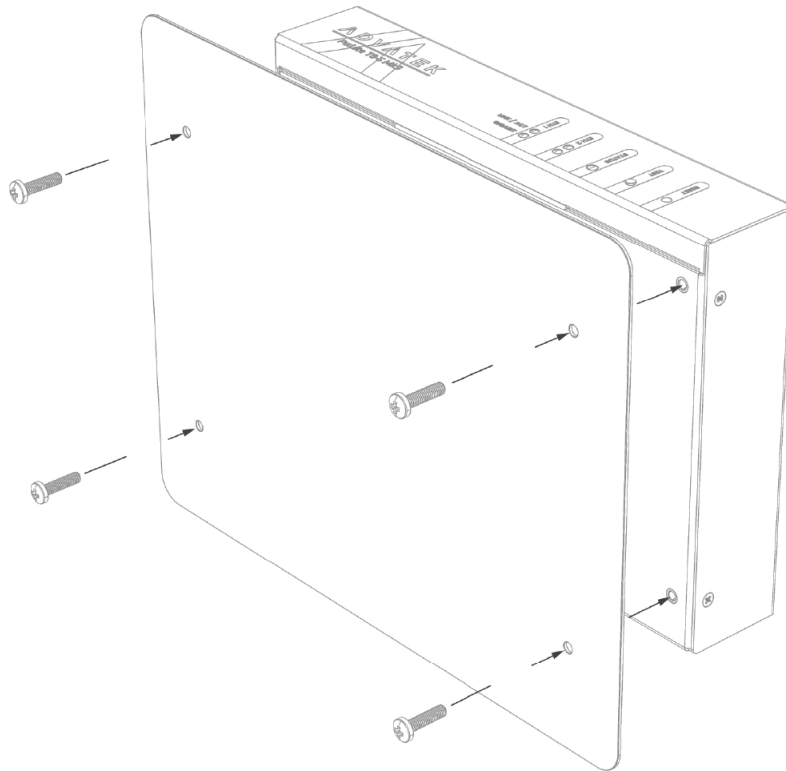
1. Using the following drawing as location guide, drill four holes in your mounting plate with a 4.5mm size drill, as shown in [Figure 4](#) below.

Figure 4: Drilling Location Guide



2. From the bottom side of the panel, use four M4 machined thread screws to assemble the controller to the panel, as shown in [Figure 5](#) below. The screws should be 8mm in length, plus the thickness of the panel.

Figure 5: Controller Assembled onto Panel

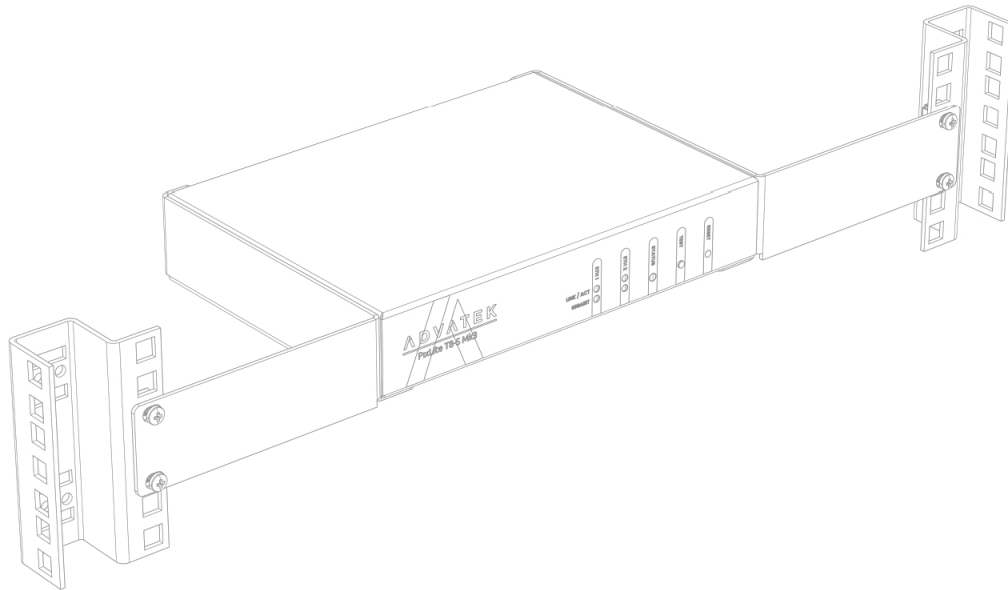


4.3 – 19” Rack Mount

The controller can be mounted in a 19” equipment rack in either of two configurations, both taking up a single rack unit (1RU) height.

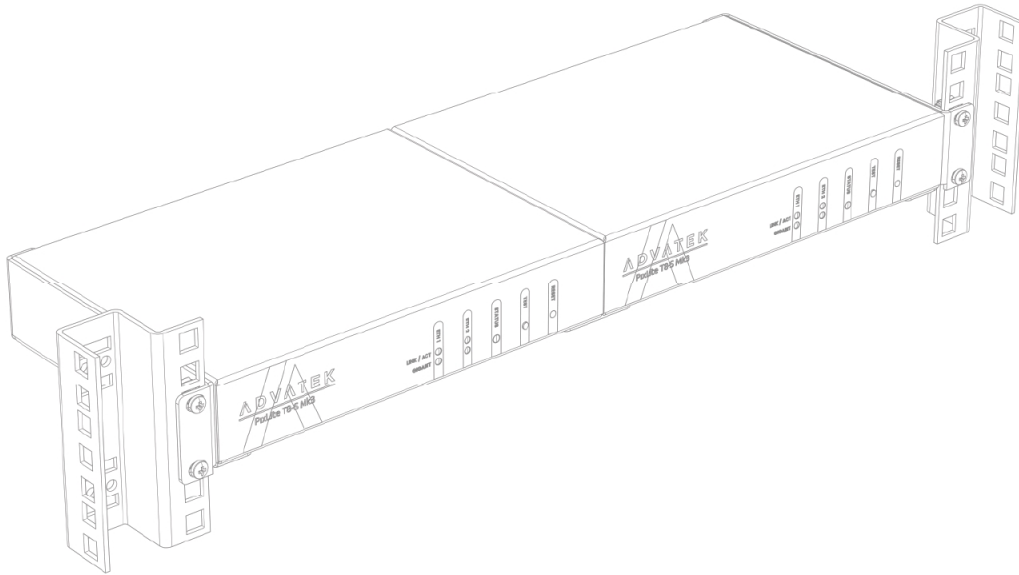
The first option is to mount a single controller in the middle of a rack slot, as shown in [Figure 6](#) below. Use optional mounting kit (part number MNT0201) for this configuration.

Figure 6: Single Controller Rack Mount



The second option is to mount two controllers side by side in a single rack slot, as shown in [Figure 7](#) below. Use optional mounting kit (part number MNT0202) for this configuration.

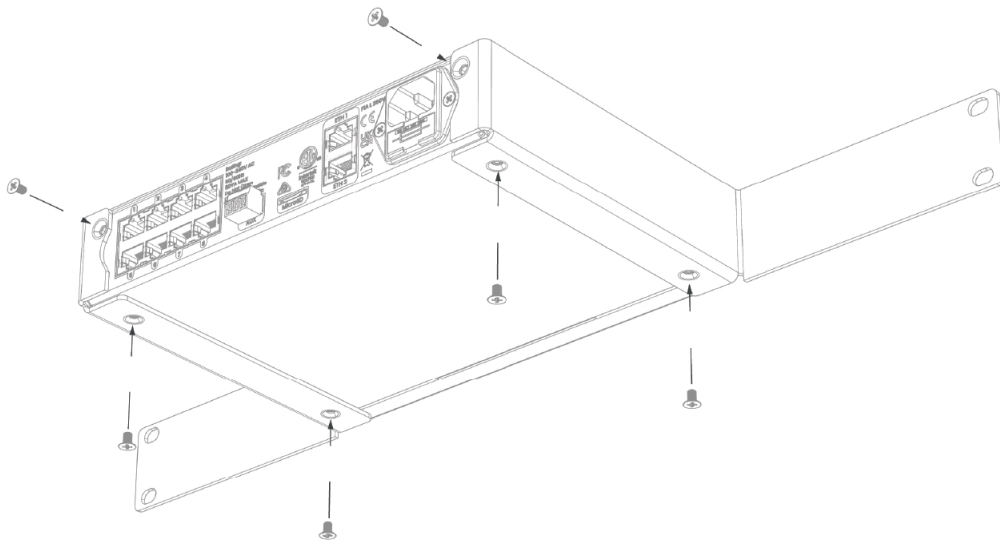
Figure 7: Dual Controller Rack Mount



4.3.1 – Single Controller Configuration

1. Using the six supplied countersunk screws, assemble the two brackets to the controller, as shown in [Figure 8](#) below.

Figure 8: Single Brackets Assembled to Controller



2. Assemble the controller to the 19" rack using the supplied pan head screws, washers and nuts, as shown in [Figure 9](#) and [Figure 10](#) below.

Figure 9: Nuts Fitted to Rack

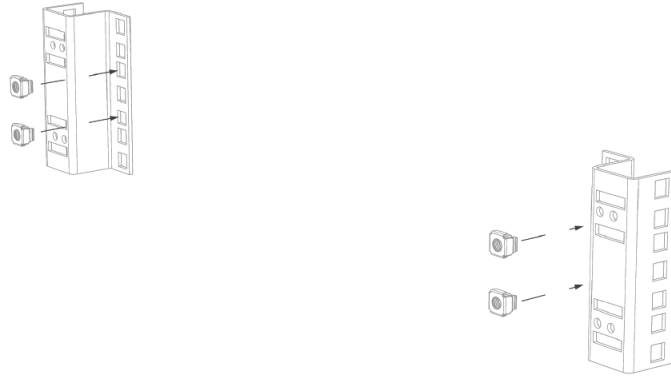
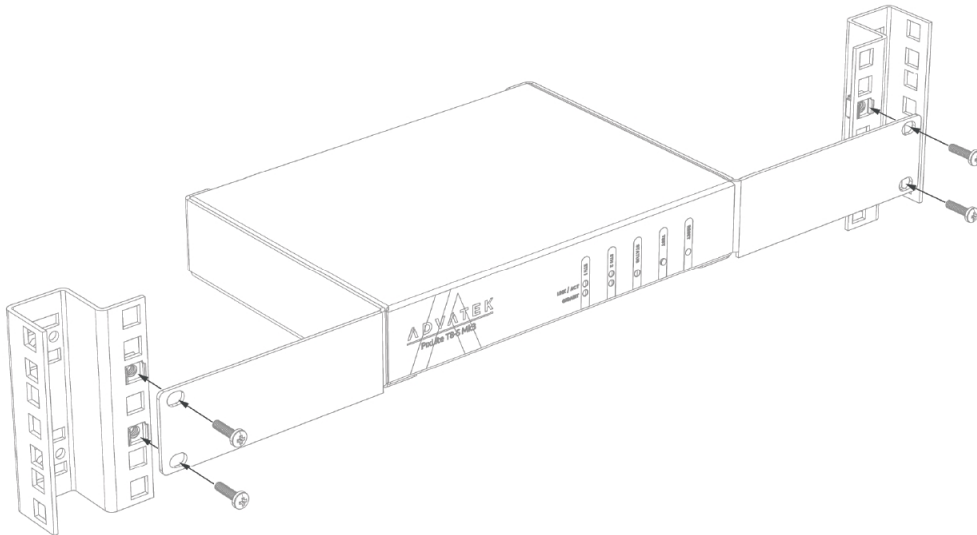


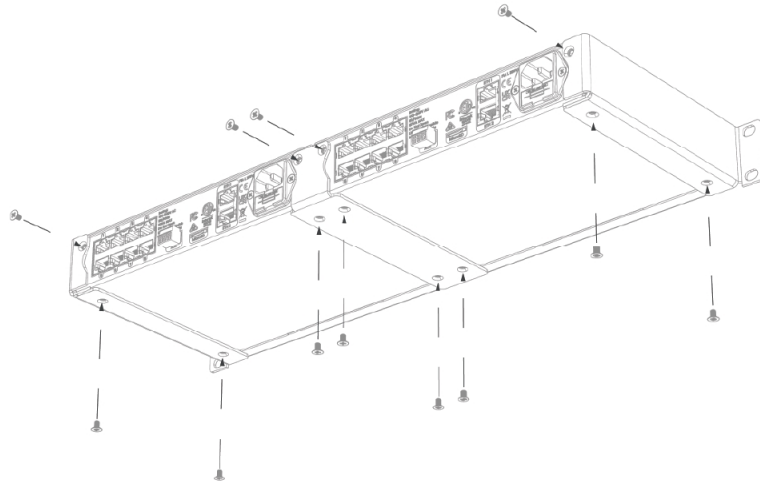
Figure 10: Single Controller Assembled to Rack



4.3.2 – Dual Controller Configuration

1. Using the twelve supplied countersunk screws, assemble the two brackets to the controller, as shown in [Figure 11](#) below.

Figure 11: Dual Brackets Assembled to Controller



2. Assemble the controller to the 19" rack using the supplied pan head screws, washers and nuts, as shown in **Figure 12** and **Figure 13** below.

Figure 12: Nuts Fitted to Rack

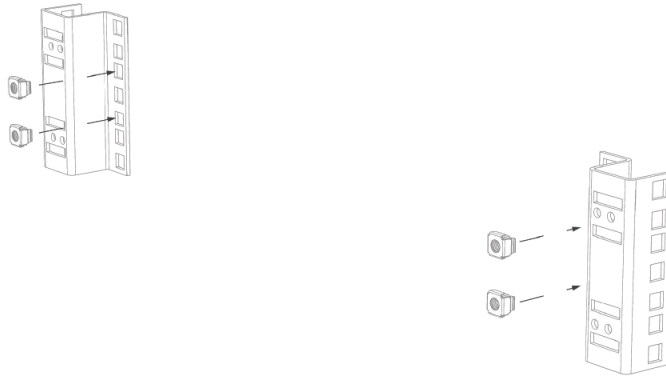
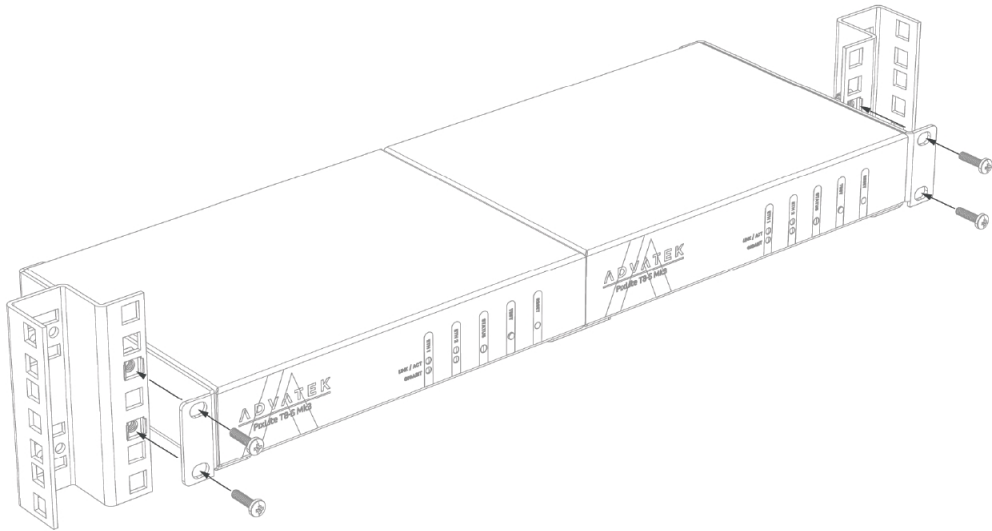


Figure 13: Dual Controller Assembled to Rack



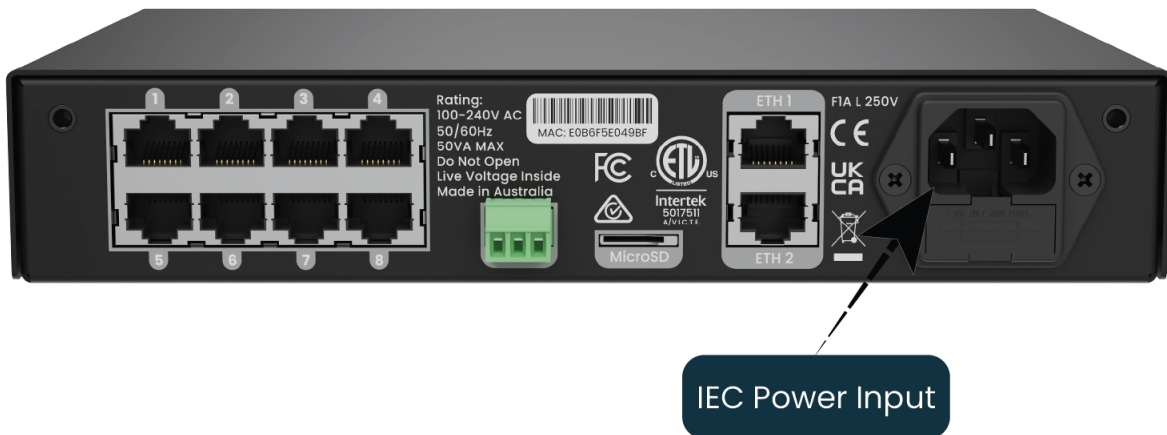
5 - Electrical Connections

5.1 - Supplying Power

Power for the PixLite T8-S Mk3 controller is applied via the supplied AC power cable. The controller is shipped with a 2m long IEC lead with a region specific power plug which should be connected to the AC mains supply. The IEC input socket on the rear of the enclosure, as shown in [Figure 14](#) below, also contains an accessible compartment with 250V 1A glass fuse (F1A L 250V).

Refer to [Section 9.1](#) for operating specifications for powering this device.

Figure 14: Location of Power Input



5.2 - Control Data

Ethernet data is connected via a standard network cable into either of the RJ45 Ethernet ports located on the rear panel of the unit, as shown in [Figure 15](#) below.

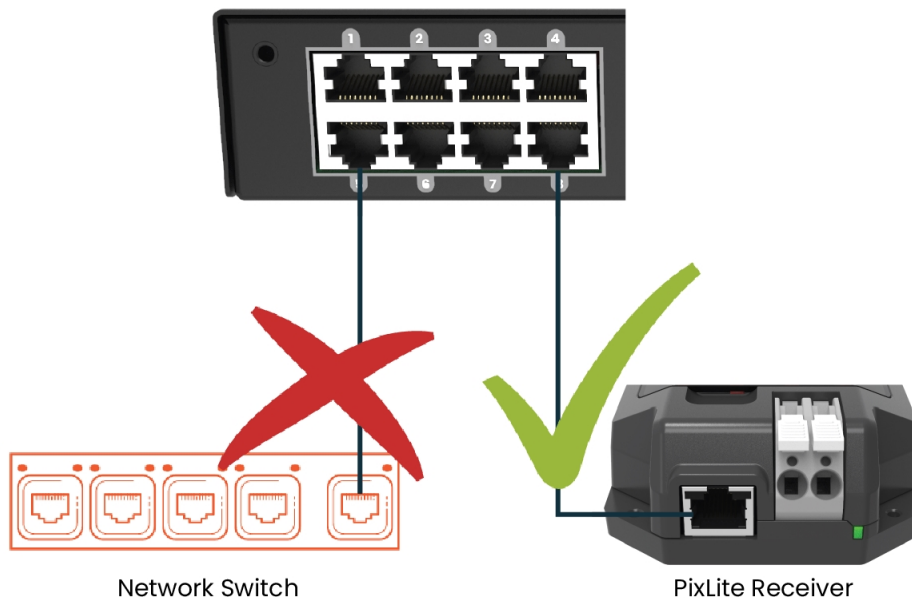
Figure 15: Position of Ethernet



5.3 – Connecting the Transmitter to Receivers

Receivers are connected to the transmitter via the RJ45 ports on the rear panel of the PixLite T8-S Mk3. Each port is labelled with its output number 1-8. These ports are not network ports, and should not be connected to any networking equipment, as shown in [Figure 16](#) below. They are specifically designed to connect a PixLite transmitter with a PixLite receiver. For this reason, the standard network cable you use can safely be up to 300m.

Figure 16: Correct equipment to use

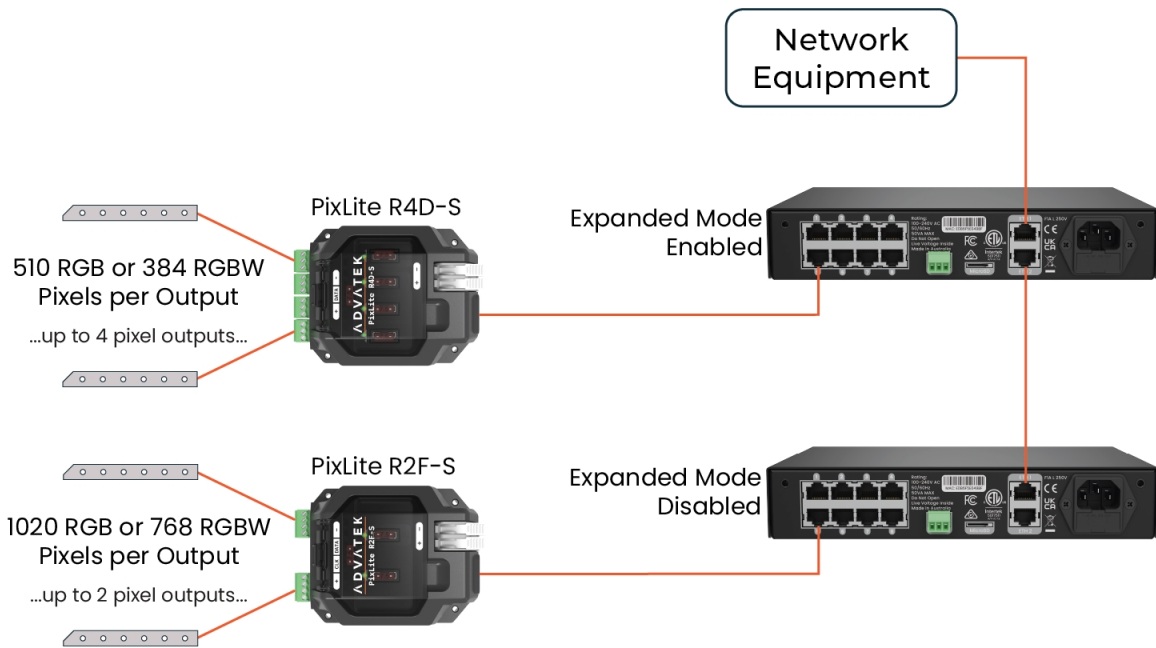


The PixLite T8-S Mk3 may be connected to two different types of receivers. The first is the PixLite R2F, which has 2 full pixel outputs (dedicated data and clock lines for each) with both outputs individually fused.

The other receiver type is the PixLite R4D which has 4 dedicated data only pixels outputs with each output individually fused. If using this receiver type, the PixLite T8-S Mk3 unit should always be configured in the Management Interface to use expanded mode (see [Section 5.4](#) below). This setup is shown in [Figure 17](#) below.

For further information relating to the receivers, please consult the specific user manual for those products.

Figure 17: Connecting Receivers to Transmitter



5.4 - Expanded Mode

If your pixels do not have a clock line, you may optionally activate expanded mode on the controller, via the Management Interface. In expanded mode, the clock lines are used as data lines instead. This means the controller effectively has twice as many pixel outputs (32), but half as many pixels per output can be run. The PixLite R4D receiver was specifically designed to take advantage of this mode and you will always need to use the transmitter in this mode when using it.

Compared to pixels with a clock line, pixels that only use a data line have the potential to lower the maximum achievable refresh rate in a pixel system. If a pixel system is using data-only pixels, then the refresh rates will typically be improved by using expanded mode. Enabling expanded mode allows for twice as many data outputs, so the same number of pixels can be spread out over these outputs, resulting in a large improvement to refresh rate. This becomes more important as the number of pixels per output increases.

Mapping of these pixel outputs in the Management Interface will appear as follows:

Expanded Mode Enabled		
Management Interface Output	T8 RJ45 Output	R4 Pixel Output
1	1	1
2	1	2
3	1	3
4	1	4
5	2	1
6	2	2
7	2	3
8	2	4
etc.		

Expanded Mode Disabled		
Management Interface Output	T8 RJ45 Output	R2 Pixel Output
1	1	1
2	1	2
3	2	1
4	2	2
etc.		

6 - Network Configuration

6.1 - Network Layout Options

Figure 18: Network Layout using a Switch and Router

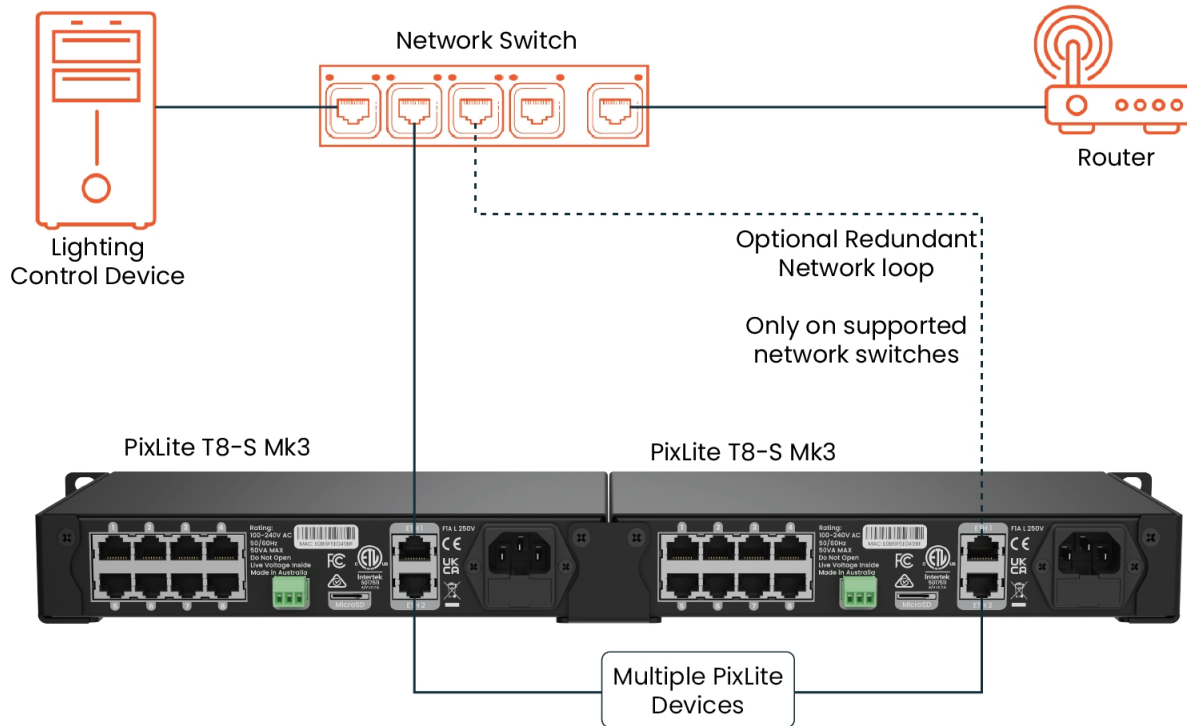
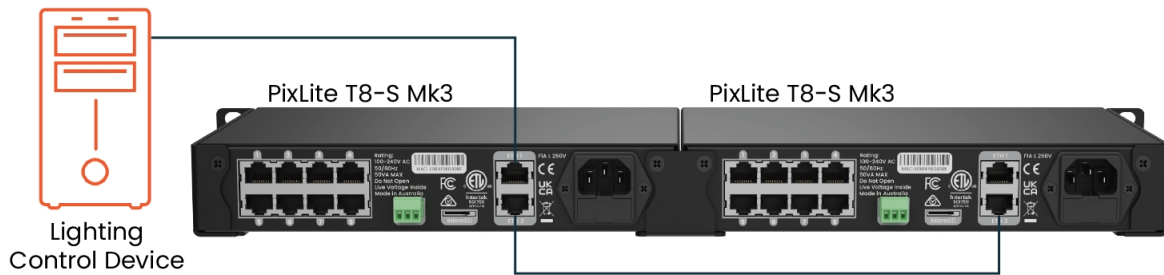


Figure 18 shows a typical network topology for the PixLite T8-S Mk3. Daisy-chaining PixLite devices and redundant network loops are both explained in [Section 6.3](#).

The Lighting Control Device could be any source of Ethernet data - e.g. desktop PC, laptop, lighting console, or media server.

Having a router on the network is not mandatory but is useful for IP address management with DHCP (see [Section 6.4.1](#)).

Figure 19: Network Layout Without a Switch/Router



The controller can alternatively be connected directly to the host machine, as shown in Figure 19. A crossover cable is not required in this case, but it may be used if desired.

The controller(s) can be integrated straight into any pre-existing LAN such as your media, home or office network, the above diagrams are only provided as examples.

6.2 - IGMP Snooping

Traditionally when multicasting a large number of universes, IGMP Snooping is required to ensure that the pixel controller is not overwhelmed with irrelevant data. However, the PixLite T8-S Mk3 is equipped with a Universe Data Hardware Firewall, which filters out irrelevant incoming data, removing the need for IGMP Snooping.

6.3 - Dual Gigabit Ports

The two Ethernet ports are industry standard gigabit switching ports, so any network device can be connected to either port. A common purpose for the two is to daisy-chain PixLite Mk3 devices from the one network source, simplifying cable runs. The combination of the speed of these ports and the included Universe Data Hardware Firewall means that latency caused by daisy-chaining is practically negligible. For any practical installation, an unlimited number of PixLite Mk3 devices can be daisy-chained together.

A redundant network cable can be connected between the final Ethernet port in a chain of PixLite Mk3 devices and a network switch. Since this will create a network loop, it is important that the network switches being used support Spanning Tree Protocol (STP), or one of its variants such as RSTP. STP will then allow this redundant loop to be automatically managed by the network switch. Most high-quality network switches have a version of STP built in and the configuration required is either none or

minimal. Consult the vendor or documentation of your network switches for further information.

Another use case for the second Ethernet port is to connect a third-party network device, like a laptop or a server, to the end of a chain of PixLite Mk3 devices. A PixLite device with only a single Ethernet port could also be connected to the end of a chain of PixLite Mk3 devices.

6.4 – IP Addressing

6.4.1 – DHCP

Routers typically have an internal DHCP server, which means they can assign an IP address to a connected device, if requested.

DHCP is always enabled by default on this device, so it can immediately connect to any existing network with a router / DHCP Server. If the controller is in DHCP mode and is not assigned an IP address by a DHCP server, it will assign itself an IP address with Automatic IP Addressing, as explained in [Section 6.4.2](#) below.

6.4.2 – AutoIP

When this device has DHCP enabled (factory default), there is also functionality for it to be operational on networks without a DHCP server, via the AutoIP mechanism.

When no DHCP address is being offered to this device it will generate a random IP address in the range of 169.254.X.Y that does not conflict with any other devices on the network. The benefit of AutoIP is that communication can happen between the device and any other compatible network device, without the need for a DHCP server or pre-configured Static IP addressing.

This then means that connecting a PixLite T8-S Mk3 directly to a PC typically does not require any IP address configuration – communication will be possible because both devices would generate their own valid AutoIP.

While the device has an AutoIP address in use, it continues searching for a DHCP address in the background. If one becomes available, it will switch to the DHCP address instead of the AutoIP.

6.4.3 – Static IP

In many typical lighting networks that this device would operate in, it's common for the installer to manually manage a set of IP addresses, instead of relying on DHCP or AutoIP. This is referred to as static network addressing.

When allocating a static address, the IP address and the subnet mask both define the subnet that the device is operating on. You need to ensure that other devices that need to communicate with this device are on the same subnet. Therefore they should have the same subnet mask and a similar but unique IP address.

When setting static network settings, the Gateway address can be set to 0.0.0.0 if it is not required. If communication between the device and other VLANs is required, the Gateway address should be configured and will typically be the IP address of the router.

Note: You may not assign a static IP address equal to the Factory IP address (192.168.0.50).

6.4.4 – Factory IP Address

When you are not sure what IP address the device is using, you can force it to use a known IP address (referred to as the Factory IP). This is particularly useful for first time access of the device, without requiring Advatek Assistant 3.

To activate the Factory IP and establish communication with the device:

1. While the controller is running, hold down the "Reset" button for 3 seconds.
2. Release the button.
3. The controller will immediately restart its application with the following factory default network settings:

IP Address: 192.168.0.50
Subnet Mask: 255.255.255.0
Gateway Address: 0.0.0.0

4. Configure your PC with compatible network settings. If you are not sure, you can try the following example settings:

IP Address: 192.168.0.49
Subnet Mask: 255.255.255.0
Gateway Address: 0.0.0.0

5. You should now be able to access the device's Management Interface by browsing to 192.168.0.50 in your web browser.

After establishing a connection to the device, make sure to configure the IP address settings for future communication and save the configuration.

Note: The Factory IP is only a temporary setting used to regain connectivity to the device. When the device is reset (powered off and on again), the IP address settings will revert to what is configured in the device.

7 - Operation

7.1 - Start-up

Upon applying power, the controller will quickly begin outputting data to the receivers. If no data is being sent to the controller, then the pixels will remain turned off until valid data is received. During normal operation, the multi color status LED will be flashing green to indicate the controller is running and outputting any received data to the receivers.

7.2 - Sending Ethernet Data

Input data is sent from the control PC/server/lighting console to the controller via Ethernet using a “DMX over IP” protocol such as sACN (E1.31) or Art-Net. This device will accept Art-Net or sACN data on either Ethernet port.

Sync modes are supported for both Art-Net and sACN. To learn more, refer to the technical note on synchronous mode here:

www.advateklights.com/knowledge-base

Details of incoming and outgoing packets can be viewed in the Management Interface.

7.3 - Data Outputs

Each of the 8 RJ45 output ports can drive 2 pixel outputs, of up to 6 universes of data each (or 4 pixel outputs, of up to 3 universes of data each if expanded mode is enabled). This allows for a total of up to 96 universes to be driven out of the one controller.

Expanded Mode Color Type	Disabled		Enabled	
	RGB	RGBW	RGB	RGBW
Max Pixels per Pixel Output	1,020	768	510	384
Max Total Pixels	16,320	12,288	16,320	12,288

The PixLite must be configured before it can correctly output pixel data. Refer to the PixLite Mk3 Management Guide for how to configure and patch your pixel outputs.

7.4 – Aux Port

The PixLite T8-S Mk3 has 1 multipurpose auxiliary (Aux) port that can be used for DMX512 communication using RS485 electrical signals. It is capable of outputting DMX512 to other devices or receiving DMX512 from another source.

Configure the Aux port to DMX512 Output to allow conversion of a single universe of incoming sACN or Art-Net data to the DMX512 protocol. This then allows any DMX512 device(s) to be connected to this port and effectively be controllable over Ethernet.

Configure the Aux port to DMX512 Input to allow the PixLite to be driven by an external source of DMX512 control. Whilst this is limited to only a single universe of data, the PixLite can use DMX512 as its source of pixel data for situations where a DMX512 control system is required to be used instead of Ethernet-based data.

The Aux port connector is located on the rear panel of the unit as shown in [Figure 20](#) below.

Figure 20: Location and Pinout of the Aux Port



7.5 – Button Actions

The 'Test' and 'Reset' buttons can be used to perform various operations, as listed below.

Action	Test Button	Reset Button
Toggle Test Mode On/Off	Press for >3 seconds while the application is running	-
Cycle the Test Modes	Press while test mode is active	-
Hardware Reset	-	Press momentarily
Factory Reset	-	Press for >10 seconds
Factory IP	-	Press for 3 seconds

7.6 – Hardware Test Pattern

The controller features a built-in test pattern to assist in troubleshooting during an installation. To put the controller into this mode, press and hold the 'TEST' button for 3 seconds (after the controller is already running) or turn it on remotely using Management Interface or via Advatek Assistant 3.

The controller will then enter the test pattern mode, where different test patterns are available as described in the table below. The controller will display the test pattern on all pixels on each of the pixel outputs and the Aux DMX512 output (if enabled) simultaneously. Pressing the 'TEST' button while in test mode will move through each of the patterns successively in one continuous loop.

Test	Operation
Color Cycle	Outputs will cycle automatically through the red, green, blue and white colors at fixed intervals. <i>Pressing the TEST button moves to the next mode.</i>
Red	Solid Red
Green	Solid Green
Blue	Solid Blue
White	Solid White
Color Fade	Outputs will slowly move through a continuous color fade. <i>Pressing the TEST button will loop back to the original color cycle test mode.</i>

To exit the test mode, press and hold the 'TEST' button for 3 seconds and then release.

The hardware test requires that the pixel driver chip type and number of pixels per output are set correctly in the Management Interface. Using Test mode, you can test if this part of your configuration is correct and isolate other possible problems with the incoming Ethernet data side.

7.7 – Operating Refresh Rates

The overall refresh rate of an installed pixel system will depend on many factors. For monitoring purposes, graphical and numerical information on incoming and outgoing frame rates can be viewed in the Management Interface. This information gives insight as to what refresh rate a system can achieve, and where any limiting factor may exist.

Refresh rates are available in the Management Interface for each of the following elements:

- Incoming sACN
- Incoming Art-Net
- Incoming DMX512 (Aux Port)
- Outgoing Pixels
- Outgoing DMX512 (Aux Port)

8 - Firmware Updates

The controller is capable of having its firmware updated (new software). An update is typically performed to fix problems or to add new features.

To perform a firmware update, ensure that you have your PixLite T8-S Mk3 controller connected to the LAN network as per [Section 6.1](#).

The latest firmware is available from the Advatek website at the following link:

www.advateklights.com/downloads

The downloaded file will be archived in a ".zip" format, which should be extracted. The ".fw" file is the file that the controller needs.

8.1 - Updating via the Management Interface

1. Open the Management Interface, and navigate to the "Update Firmware" page.
2. Load the firmware ".fw" file with the file browser.
3. Click "Update Firmware". The controller will temporarily disconnect.
4. Once the update is complete, the controller will restart its application with the new firmware, maintaining its previous configuration.

9 - Specifications

9.1 – Operating Specifications

The table below specifies the operating conditions for a PixLite T8-S Mk3 controller.

9.1.1 – Power

Parameter	Value/Range	Units
Input Power	100-240 (50/60 Hz)	V AC
Maximum Power Consumption	50	VA

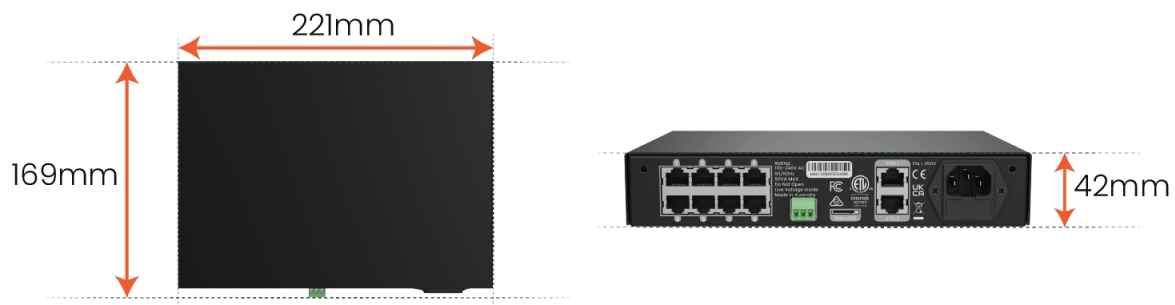
9.1.2 – Thermal

Parameter	Value/Range	Units
Ambient Operating Temperature	-10 to +60	°C

9.2 – Physical Specifications

Dimension	Metric	Imperial
Depth	169mm	6.7"
Width	221mm	8.7"
Height	42mm	1.7"
Weight	1.1kg	2.4lbs
AC Cable Length	2m	6.5'

Figure 21: Mechanical Specifications



9.3 – Electrical Fault Protection

The PixLite T8-S Mk3 features notable protection from potential damage due to various types of faults. This makes the device robust and reliably able to operate in most installation environments.

ESD protection is present on all data line outputs and all Ethernet ports.

All data outputs and both Ethernet ports are protected against direct shorts to each other as well as to external voltages of up to $\pm 36V$ DC.

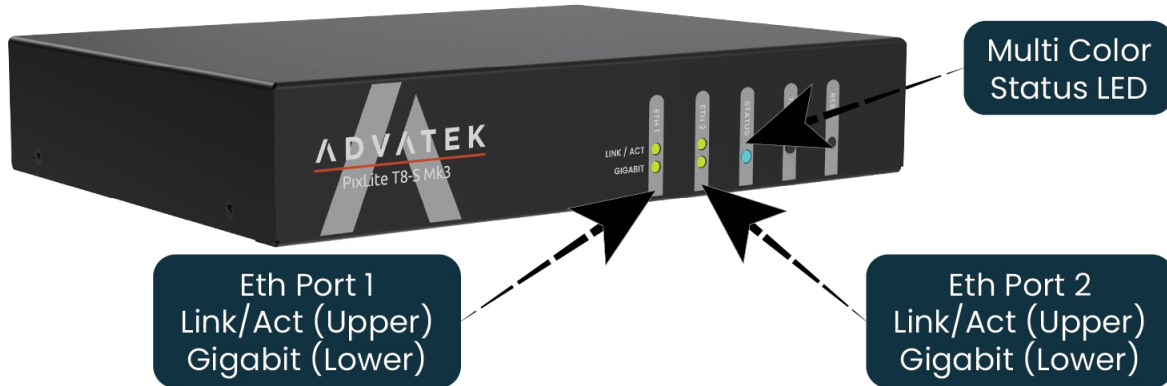
The Aux Port is also protected against direct shorts of up to $\pm 48V$ DC.

10 - Troubleshooting

10.1 - LED Codes

There are multiple LEDs on the PixLite T8-S Mk3 that are useful for troubleshooting. The location of each is shown in [Figure 22](#) below.

Figure 22: Location of LEDs



Please refer to the tables below for condition codes for the multi-color status LED, and the Ethernet port LEDs.

Color(s)	Behavior	Description
Green	Flashing	Normal Operation
Yellow	Flashing (3 flashes every 1 second)	Identify Function (used to visually locate a device)
Red/Green/Blue/White	Cycling	Test Mode - RGBW Cycle
Color Wheel	Cycling	Test Mode - Color Fade
Various	Solid	Test Mode - Set Color
Blue	Solid	Installing Firmware (occurs 1 to 5 seconds after firmware update)
Green	Solid	Booting Up (occurs 1 to 2 seconds after start-up)
White	Flashing	Factory Reset
Green/Red	Alternating	Emergency Recovery Mode
Off	Off	No Power / Hardware Fault
White	Flashing (3 flashes every 5 seconds)	Power Supply Stability Error Detected (power device off and on again)
Red/White	Various	Critical Error (contact Advatek Support)

Link/Activity LED	Gigabit LED	Condition
Any	Solid	Connected okay at full speed (Gigabit)
Any	Off	Connected okay at limited speed (10/100 Mbit/s)
On	Any	Connected okay, no data
Flashing	Any	Receiving / transmitting data
Off	Off	No link established

10.2 – Statistical Monitoring

Many issues that may occur are often due to complications in the network, configuration, or wiring. For this reason, the Management Interface features a statistics page for statistical monitoring and diagnostics. Refer to the PixLite Mk3 Management Guide for more information.

10.3 – Solutions for Common Issues

Issue	Suggested Solution
Status LED off	<ul style="list-style-type: none">• Ensure that the outlet you are plugged into is active.• Check all power connections and fuses – The PixLite T8-S Mk3 has a fuse located in a recess inside the IEC socket at the rear of the unit that may need to be replaced. See Section 5.1.• Disconnect all cables from the device, except for the power input, to see if the device turns on.
No pixel control	<ul style="list-style-type: none">• Ensure the device has been configured correctly, with the correct Pixel Type and number of Pixels set.• Activate a test pattern as per Section 7.6 to see if your pixels turn on.• Check that the receivers are connected correctly, with a working cable, and that the physical wiring and pinout of the pixels are correct, as per Section 5.3.

10.4 – Other Issues

Check the LED codes as per [Section 10.1](#). If the device still fails to perform as expected, perform a factory default reset on the device as per [Section 10.5](#) below. For the latest information, more specific troubleshooting guides and other help, you should refer to our online Knowledge Base here: www.advateklights.com/knowledge-base

If you can't resolve your problem with the help of our Knowledge Base, you can send an e-mail to: support@advateklights.com and a support ticket will automatically be created for you, or you can manually open a support ticket here: www.advateklights.com/support

10.5 – Reset to Factory Defaults

To reset the controller to its factory default settings, do the following:

1. Ensure the controller is powered up.
2. Hold down the 'Reset' button for 10 seconds.
3. Wait for the Multi-Color Status LED to alternate Green/White.
4. Release the 'Reset' button. The controller will now have factory default configuration.
5. Alternatively, reset to factory defaults via the Management Interface, in the "Configuration" page.

Note: This process will reset all configuration parameters to Factory Defaults, including IP Address settings (listed in [Section 6.4.4](#)), as well as Security settings.

11 - Disclaimer

If you require support or warranty, please refer to [Section 10.4](#) for information on creating a support ticket. You must be issued with a return authorization by Advatek support staff before returning any product.

This device is only suitable for use in accordance with the specifications and in an indoor environment which is protected from the weather and surges.

The PixLite T8-S Mk3 controller is supplied with a 5-year limited warranty and a repair/replacement guarantee. Please see the terms and conditions on our website for more information.

The PixLite T8-S Mk3 has been tested against and independently certified as compliant with the Standards listed in the table below.

Audio/Video and ICTE - Safety Requirements		UL 62368-1
Radiated Emissions		EN 55032 & FCC Part 15
Conducted Emissions		EN 55032
Harmonic Current Emissions		EN 61000-3-2
Voltage Fluctuations and Flicker Emissions		EN 61000-3-3
Multimedia Immunity EN 55035	Electrostatic Discharge	EN 61000-4-2
	Radiated Immunity	EN 61000-4-3
	Electrical Fast Transients/ Burst	EN 61000-4-4
	Surge	EN 61000-4-5
	Conducted Immunity	EN 61000-4-6
	Voltage Dips and Interruptions Immunity	EN 61000-4-11
Restriction of Hazardous Substances		RoHS 2 + DD (EU) 2015/863

Through testing to the above standards, the PixLite T8-S Mk3 has the certifications and marks listed in the table below.

Certification	Relevant Country
ETL Listing	North America and Canada. Equivalent to UL Listing.
CE	Europe
FCC	North America
ICES3	Canada
RCM	Australia and New Zealand
UKCA	United Kingdom

Note: This equipment has been tested and found to comply with the limits for a Class A digital device, pursuant to part 15 of the FCC Rules. These limits are designed to provide reasonable protection against harmful interference when the equipment is operated in a commercial environment. This equipment generates, uses and can radiate radio frequency energy and, if not installed and used in accordance with the instruction manual, may cause harmful interference to radio communications. Operation of this equipment in a residential area is likely to cause harmful interference in which case the user will be required to correct the interference at their own expense.

Art-Net™ Designed by and Copyright Artistic Licence Holdings Ltd.

This product has been manufactured by:

Advatek Lighting Pty Ltd
 16 / 52 Corporate Blvd
 Bayswater, 3153
 VIC, AUSTRALIA