

PixLite® R4D-S

Long Range Receiver



DATASHEET

KEY FEATURES

- Receive Data up to 300m from Transmitter
- Up to 12 Universes of Data-Only Pixels
- Power In and Fuse Good LED Indicators
- Electrical Fault Protection on all Ports
- Compact Form Factor

Made in Australia

3 Year Warranty

ADVATEK
LIGHTING

PixLite® R4D-S

Long Range Receiver

PRODUCT OVERVIEW

The PixLite R4D-S is a pixel LED controller that's built to last and has all the protection one needs for peace of mind with professional installations.

Paired with a PixLite T8 controller, the PixLite R4D-S receives differential (long distance) data and converts it into a pixel ready signal. Perfect for any professional installation, particularly when the LEDs will be separated by some distance.

A CLOSER LOOK AT THE RECEIVER

4 PIXEL OUTPUTS

4 individually fused outputs suitable for **data-only** pixel LEDs (see next page for details). Configuring the PixLite transmitter unit to **expanded mode** exclusively allows the use of data-only pixels

FAULT PROTECTION

Features electrical fault protection on all inputs and all pixel output lines, resulting in higher reliability and less equipment failures over time. Each output also includes a 7.5A mini blade fuse which will help protect the pixels and power supply in a fault condition, as well as keeping the installation safe. See details on next page.

SMALL FORM FACTOR

Compact, lightweight, slimline unit designed for mounting in tight spaces

QUICK CONNECT POWER

High current quick connect clamp connector for fast and reliable power connection

CONTENTS

PixLite R4D-S

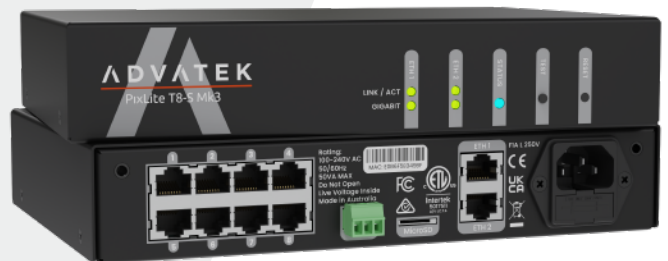
Installation Guide

CERTIFICATIONS



COMPATIBLE TRANSMITTERS

PixLite T8-S Mk3

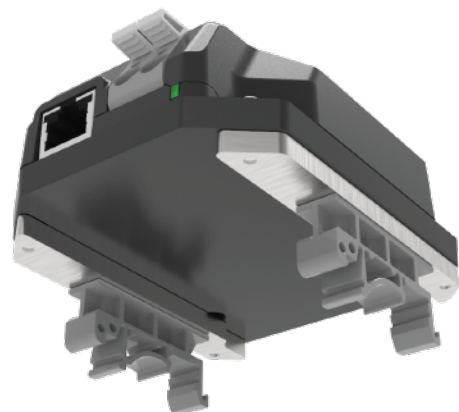


PixLite T8-S Mk2



OPTIONAL ACCESSORIES

Din-Rail Mounting Bracket



PixLite® R4D-S

Long Range Receiver

SPECIFICATIONS

PHYSICAL

Pixel Outputs	4 x Powered
Data Input (From PixLite Transmitter)	1 x RJ45
Dimensions (excluding connectors)	95 x 78 x 33mm
Weight	0.2kg
Enclosure	High Strength ABS - Black
Mounting	Wall & Din-Rail Mountable

FAULT PROTECTION

Data Input	+/- 24V DC fault protection
Pixel Output Clock/Data	+/- 24V DC fault protection
Pixel Output Power	Over Current and Short Circuit Protection
ESD	Protection on all Pixel Outputs and Data Input

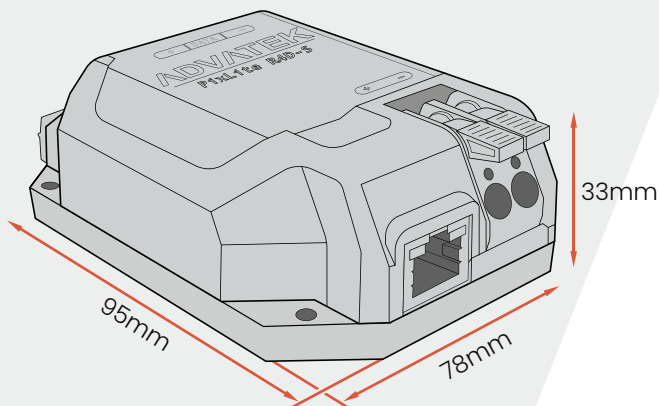
CERTIFICATIONS & MARKS

North America	ETL Listing (Equivalent to UL Listing)
Europe	CE
North America	FCC
Canada	ICES3
Australia & New Zealand	RCM

PIXEL DATA *(Limits are set by the configuration of the transmitter)*

Pixel Outputs	4
RGB Pixels per Output	510
RGBW Pixels per Output	384
Universes per Pixel Output	3
Total Pixel Universes	24

OVERALL DIMENSIONS



POWER

Input Power	5V - 24V DC
Per Output Current Limit	7.5A (Mini Blade Fuse)
Total Current Limit	30A

THERMAL

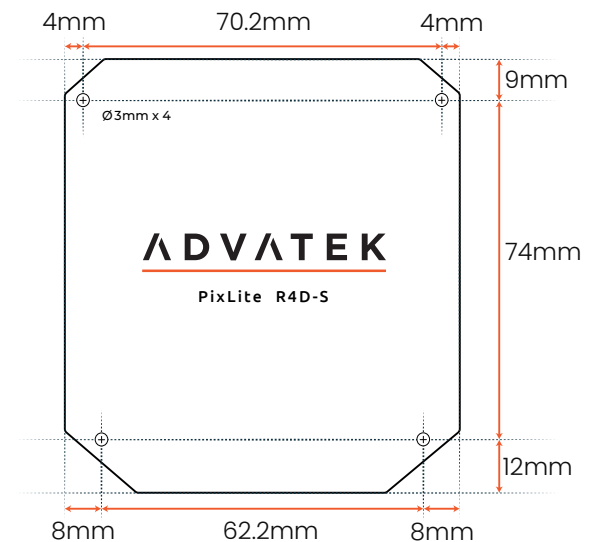
Ambient Operating Temperature	-20°C to +55°C
-------------------------------	----------------

TESTING STANDARDS

Audio/Video & ICTE - Safety Requirements	UL 62368-1
Radiated & Conducted Emissions	EN 55032 & FCC Part 15
Immunity for ITE	EN 55024
Restriction of Hazardous Substances	RoHS 3

EXPANDED MODE ENABLED

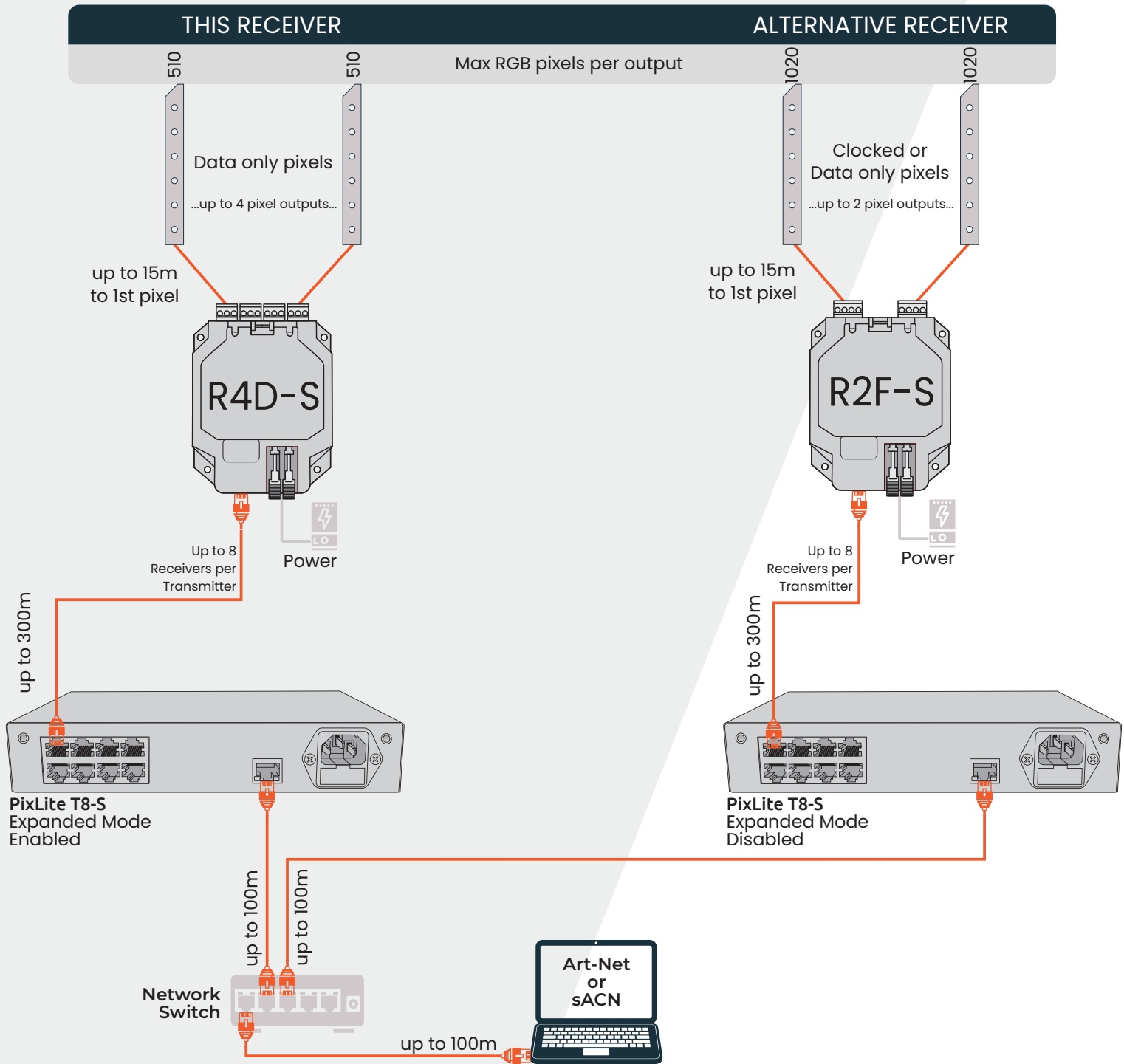
MOUNTING DIMENSIONS



PixLite® R4D-S

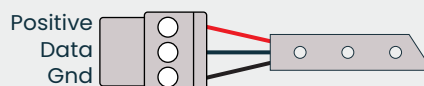
Long Range Receiver

TYPICAL WIRING DIAGRAM



CONNECTIONS TO PIXELS

Pixels Data Only
Expanded Mode Enabled



ORDER CODES

PixLite R4D-S PIXR4DS
Din-Rail Mounting Bracket MNT0101