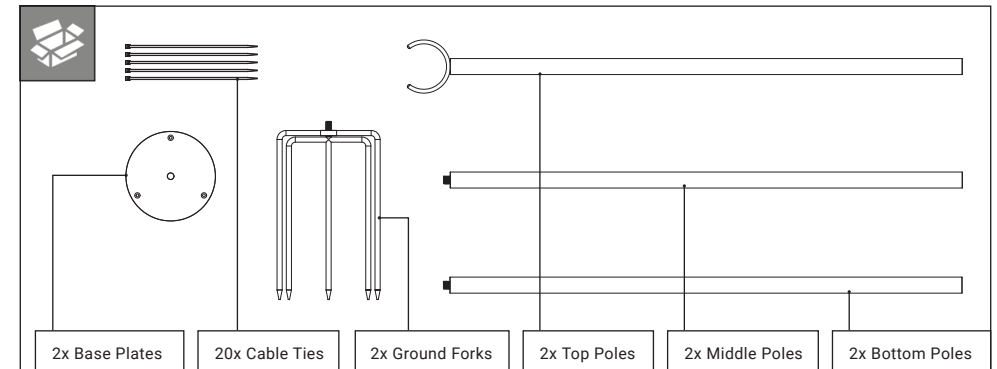


LED Festoon Lights

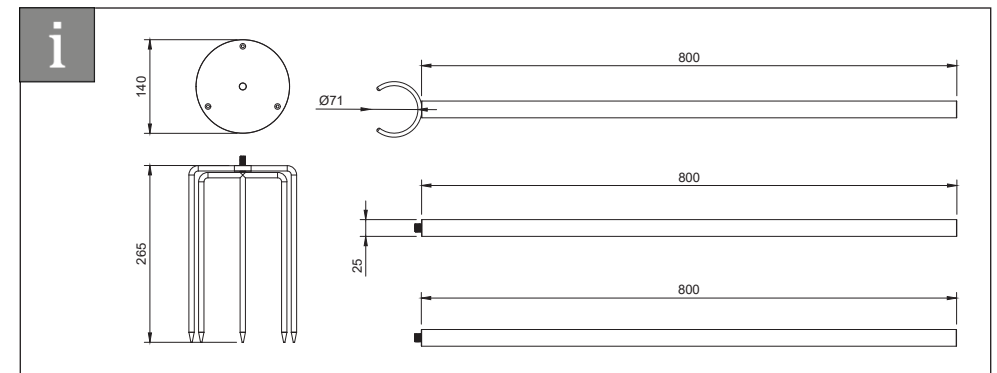
► Set of 2 Festoon Poles

User Manual

Package Contains



Dimensions



Precautions

Installation Notes

- ▶ This product must be installed by a suitably competent person.
- ▶ May contain small parts, possible choking risk. Keep away from children.
- ▶ Sharp edges. Keep away from children.

Mechanical

- ▶ Do not use worn or damaged wires or fixtures.
- ▶ Ensure the product does not cause a trip or fall hazard.
- ▶ Beware of sharp edges on ground fork.
- ▶ When installing wear gloves and protective footwear.
- ▶ Do not climb or swing from this product.
- ▶ Regularly inspect the product for wear.
- ▶ Ensure ground fork is fully inserted into the ground.
- ▶ Maximum height: 2.4m
- ▶ Recommended spacing at 2.4m height: 3m
- ▶ Recommended spacing at 1.6m height: 5m

Environmental

- ▶ Components are suitable for outdoor use.
- ▶ To be used for installation into soft ground.
- ▶ Store in a clean dry area.
- ▶ Assemble in dry conditions.
- ▶ Check for hidden pipes and cables before installing ground spike.
- ▶ Not suitable for use during adverse weather conditions (such as high winds, thunder or lightning).

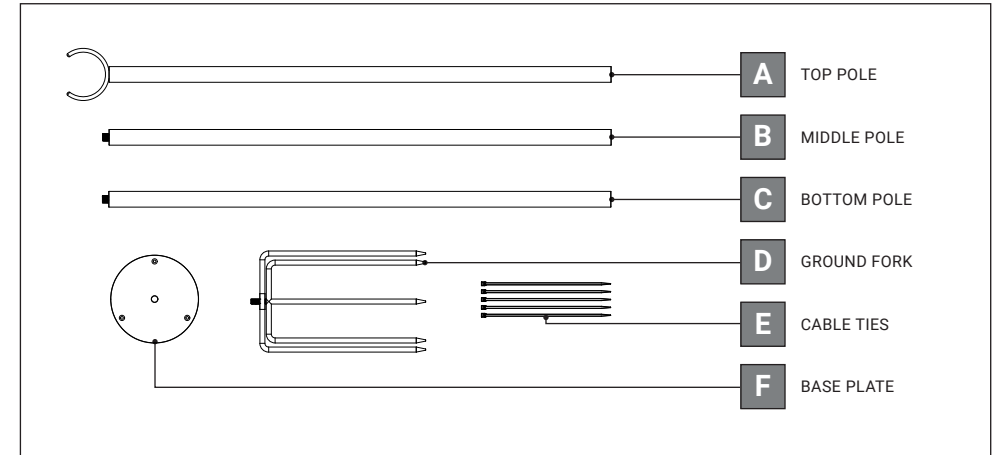
Product Warranty

1. A warranty period is provided for products in normal use. For any faults arising during the period that are confirmed to be quality related by inspection by the company, a product of the same specification will be replaced for free.
2. The warranty does not cover any of the following:
 - (1) Any product damage due to usage not allowed in the instructions.
 - (2) Any product damage due to disassembling or wrong operation by the user.
 - (3) Severe appearance damage or deformation of the product.

IMPORTANT

- ▶ Please read prior to installation.
- ▶ Please read these instructions carefully before commencing any work.
- ▶ Please retain these instructions for future reference.
- ▶ Only use with Tagra Festoon Strings.

Diagram



Assembly Instructions

1. Completely unpack the product, taking care to locate all parts included in the diagram above.
2. Connect the bottom (C), middle (B) and top (A) poles together.
3. Place the base plate (F) onto the threaded section of the ground fork (D).
4. Screw the bottom pole into the ground fork. The bottom pole has a smaller thread size.
5. Make sure all sections are screwed together tightly.
6. Spread the prongs on the ground fork and firmly press into the ground.
7. Make sure the prongs are fully inserted so that the base plate is flush with the ground.
8. Lay festoon string into the cup at the top of the pole and secure with a cable tie (E).

