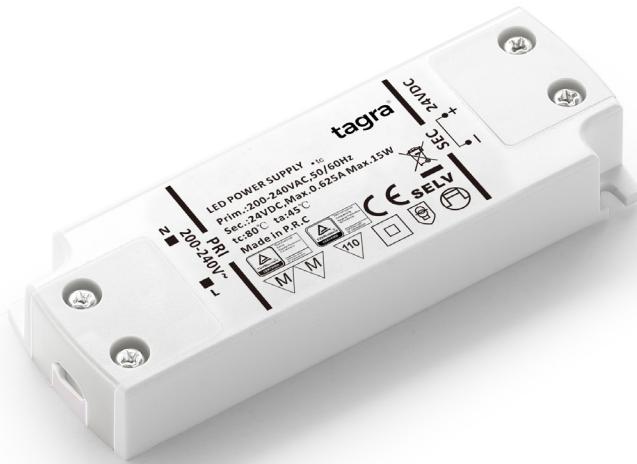


24V TAGRA® PROFESSIONAL LED DRIVER, IP20, 15W


| SKU: TAG24V15W



ULTRA LEDs



 ultraleds.co.uk

 0800 088 3300

 orders@ultraleds.co.uk

FEATURES & BENEFITS

- High Cost Performance
- SELV
- Open Circuit Protection
- Short Circuit Protection
- Overload Protection
- Over Temperature Protection
- Compliance to ERP directive
- Lifetime 30,000 Hours

24V

IP20

3YR
Guarantee

WHITE

SELV

CE
EMC



TECHNICAL INFORMATION

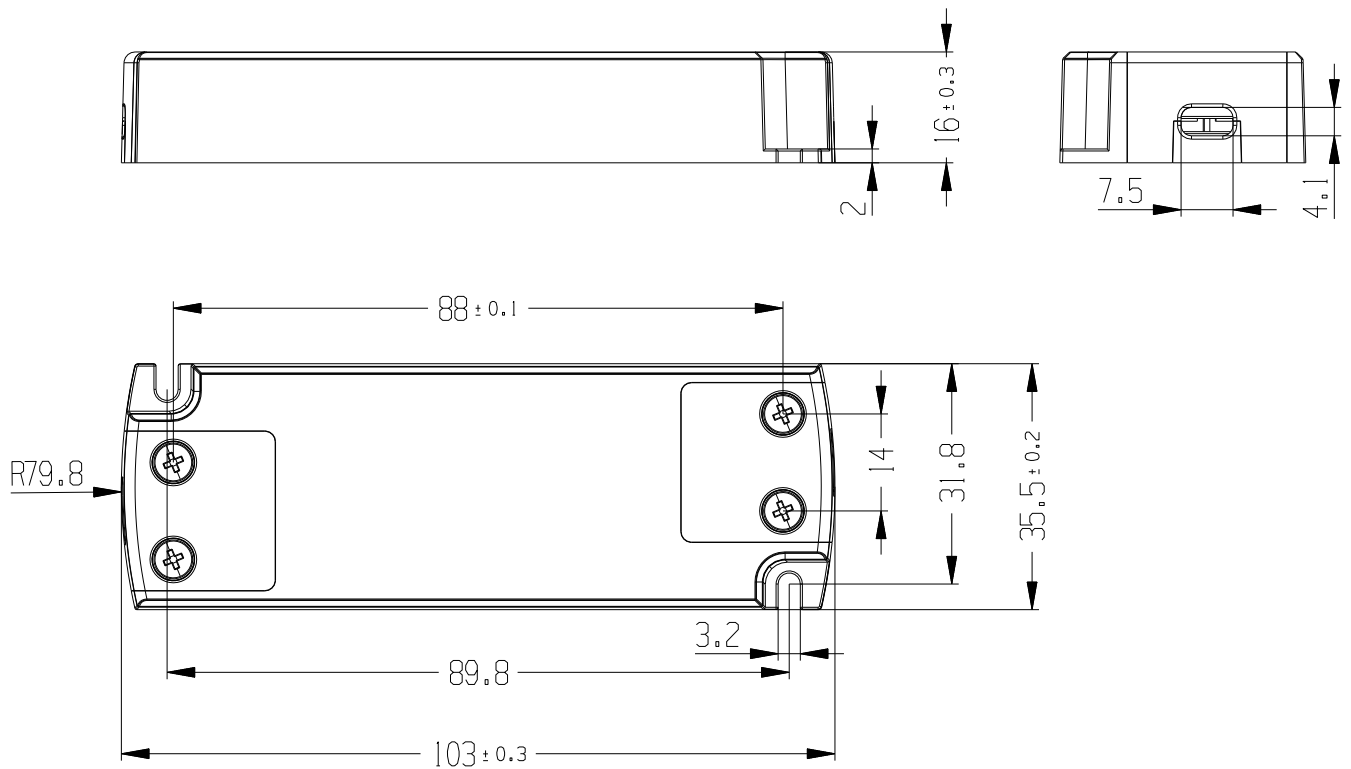
Specifications

Output	Start Up Time	< 0.5secs
	Output Voltage	24V +/- 5%
	Output Current	0 - 0.625A
	Output Voltage Wave	500mV
	Output Overload	-
Input	Input Voltage	AC200-240V
	Input Frequency	50/60Hz
	Input Current	< 0.23A
	Input Power	< 20W
	Efficiency	> 84%
	Standby	< 0.5W
	Inrush Current	< 70A
Power Factor	> 0.5	
Environment	Operating Temp.	-20°C~45°C
	Relative Humidity	45%~85% RH
	Max. Case Temp.	80°C
	Lifetime	30,000 Hours
	Working Noise	Yes

Mechanical	Case Material	Plastic
	Mounting	Independent
	Insulation Type	Class II
	IP Rating	IP20
	Input Cables	H03VVH2-F 2x0.75mm ²
	Output Cables	H03VVH2-F 2x0.75mm ²
	Output Cables Length	Max. 2 Metres

Protection	Open Circuit	-
	Overload	Yes
	Short Circuit	Yes
	Over Temperature	-
	Over Voltage	-
	Auto Recovery	Yes
	Latch Off	-

Safety & EMC	Safety	IEC61347-1 IEC61347-2-13
	Harmonic	EN61000-3-2 Class C
	EMI	EN55015
	EMS	EN61547



DIMENSIONS