

24V SLIM TRIAC DIMMABLE LED DRIVER, 30W 1.25A

| SKU: FTPC-D-30/24V



ULTRA LEDs

ultraleds.co.uk

0800 088 3300

orders@ultraleds.co.uk



FEATURES & BENEFITS

- High Cost Performance
- SELV
- Open Circuit Protection
- Short Circuit Protection
- Overload Protection
- Over Temperature Protection
- Compliance to ERP directive
- TRIAC dimming
- Lifetime 30,000 Hours

24V

IP20



WHITE

SELV



TECHNICAL INFORMATION

Specifications

Output	Start Up Time	--
	Output Voltage	24V +/- 5%
	Output Current	0.25 - 1.25A
	Output Voltage Wave	--
	Output Overload	--
	Dimming Mode	TRIAC CV
	Dimming Range	20% - 90%

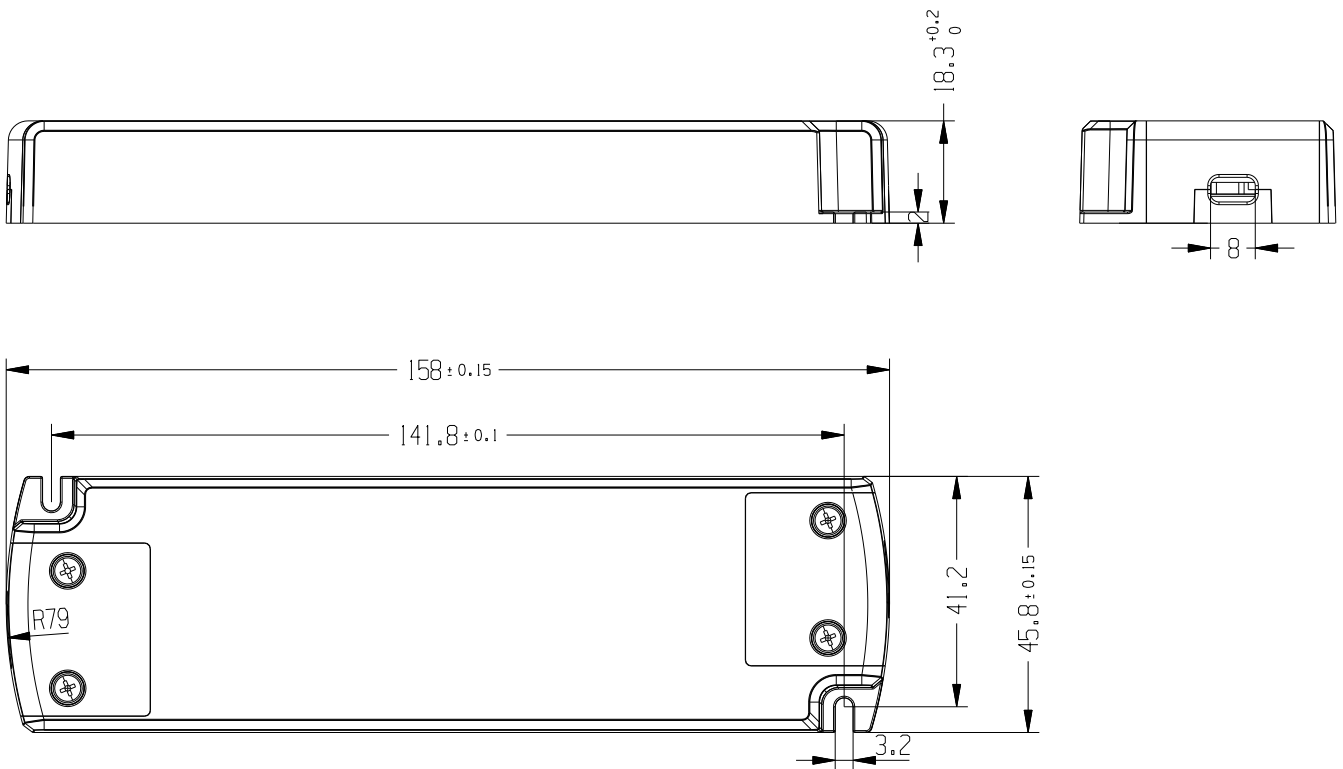
Input	Input Voltage	AC220-240V
	Input Frequency	50Hz
	Input Current	< 0.2A
	Input Power	< 40W
	Efficiency	> 80%
	Standby	--
	Inrush Current	< 75A
	Power Factor	> 0.9

Environment	Operating Temp.	-20°C~45°C
	Relative Humidity	15%~90% RH
	Max. Case Temp.	85°C
	Lifetime	30,000 Hours
	Working Noise	Yes

Mechanical	Case Material	Plastic
	Mounting	Independent
	Insulation Type	Class II
	IP Rating	IP20
	Input Cables	H03VVH2-F 2 x 0.75mm ²
	Output Cables	H03VVH2-F 2 x 0.75mm ²
	Output Cables Length	Max. 2 Metres

Protection	Open Circuit	--
	Overload	--
	Short Circuit	Yes
	Over Temperature	Yes
	Over Voltage	Yes
	Auto Recovery	Yes
	Latch Off	Yes

Safety & EMC	Safety	IEC61347-1 IEC61347-2-13
	Harmonic	EN61000-3-2 Class C
	EMI	EN55015
	EMS	EN61547



DIMENSIONS