

WIFI & RF 5 IN 1 LED CONTROLLER

| MODEL NO: 5IN1WIFIRCVR



ULTRA LEDES



ultraleds.co.uk

0800 088 3300

orders@ultraleds.co.uk

FEATURES & BENEFITS

- 5 in 1 function, used for control RGB, RGBW, RGB+CCT, colour temperature or single colour LED strip
- DC power socket input and 5 channel constant voltage output
- Tuya App cloud control, support on/off, RGB colour, colour temperature and brightness adjust, delay turn on/off light, timer run, scene and music play function
- Voice control, support Amazon Echo and TmallGenie smart speaker
- Match with RF 2.4GHz remote control optional
- User need set light type by press key before Tuya App network connection and match RF remote of the same light type
- Each WT5 controller can also work as Wifi-RF converter, then use Tuya App to control one or more RF LED controller or RF LED dimming driver synchronously

IP20

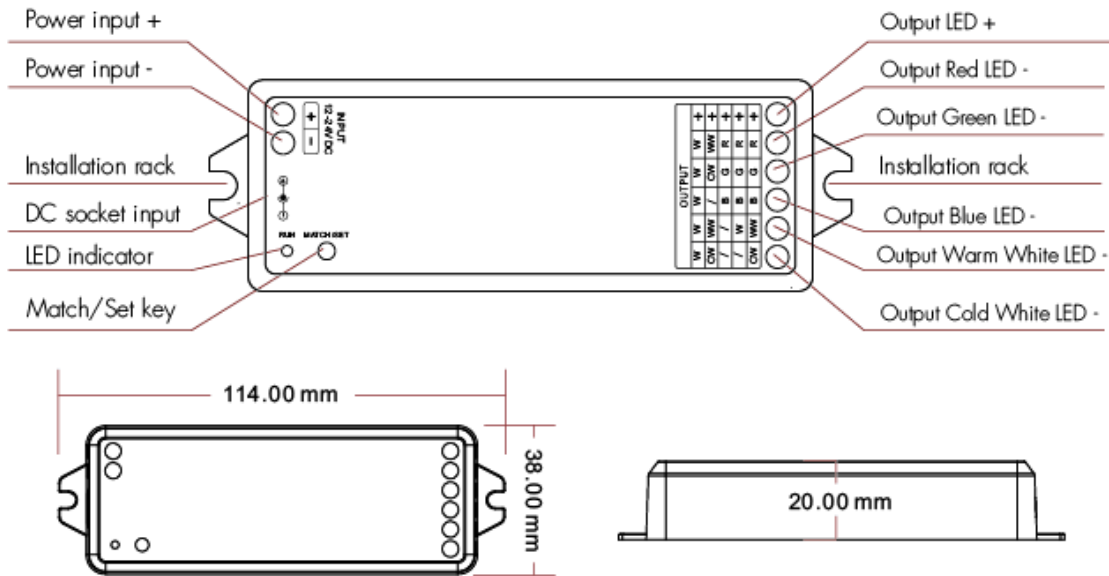


TECHNICAL INFORMATION

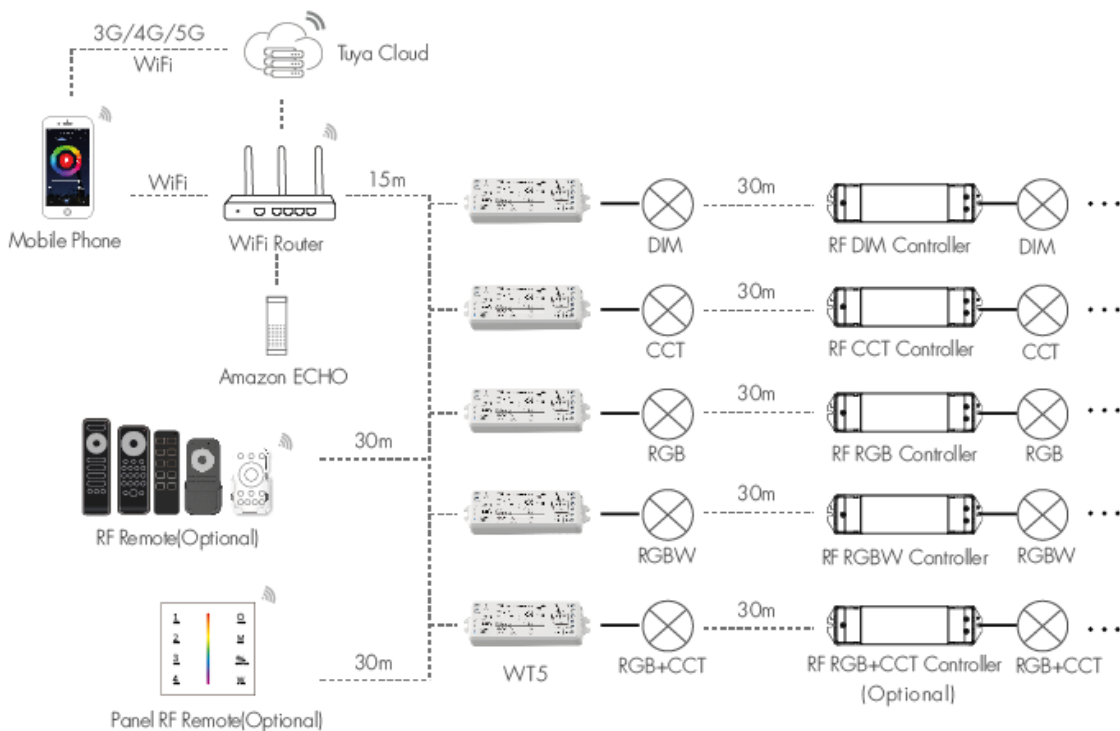
Specifications

Input & Output	Input Voltage	12 - 24V DC
	Input Current	15.5A
	Output Voltage	5 x (12-24)V DC
	Output Current	5 Channel, 3A per channel
	Output Power	5 x (36-72)W
	Output Type	Constant Voltage
Dimming Data	Input Signal	Tuya App + RF 2.4GHz
	Control Distance	30m (barrier free)
	Dimming Grayscale	4096 (2 ¹²) levels
	Dimming Range	0 - 100%
	Dimming Curve	Logarithmic
	PWM Frequency	500Hz (default)
Environment	Operational Temp.	ta: -30°C to +55°C
	Case Temp.	tc: +85°C
	IP Rating	IP20
Safety & EMC	EMC Standard (EMC)	EN55015, EN61547
	Safety Standard (LVD)	EN61347, EN62493
	Radio Equipment (RED)	EN300 440, EN50663, EN301 489
	Certification	Safety + EMC + RF
Warranty & Protection	Warranty	5 Years
	Protection	Reverse Polarity, Over-heat

MECHANICAL DIAGRAM



SYSTEM WIRING



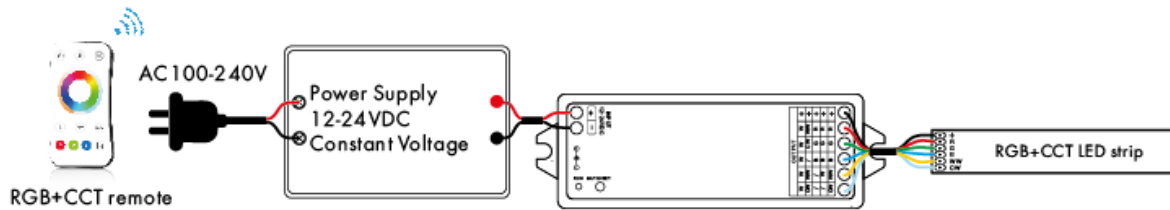
— Wired connection
 - - - - - Wireless connection

Note:

1. The above distance is measured in spacious (no obstacle) environment, Please refer to the actual test distance before installation.
2. Please check if the WiFi router net in 2.4G band, the 5G band is not available, and do not hide your router network.
3. Please keep the distance between WT5 devices and router close, and check the WiFi signals.

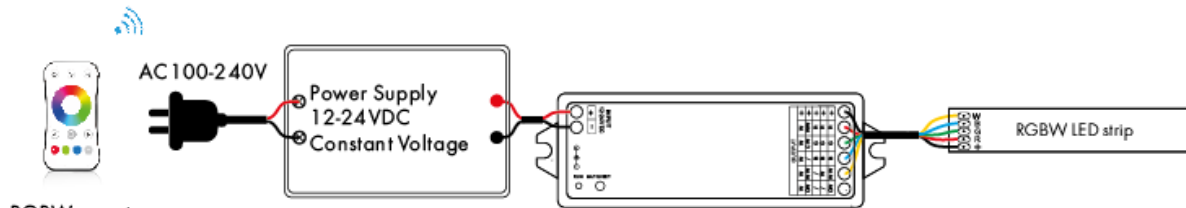
WIRING DIAGRAM

• For RGB+CCT



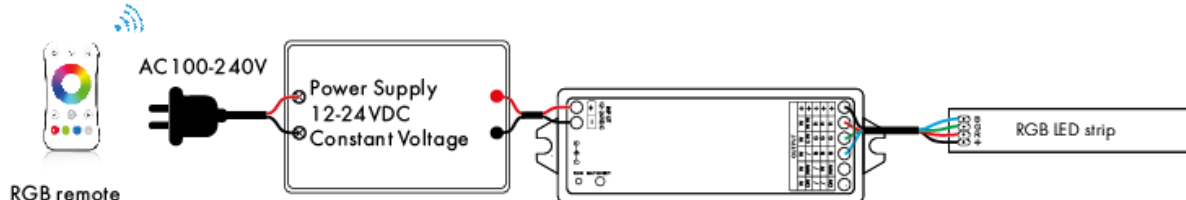
Press and hold match/set key for 16s, until the RUN LED indicator turn blue, then release, the controller will become RGB+CCT type, then do smart config by tuya APP, or short press match key to match with RGB+CCT RF remote.

• For RGBW



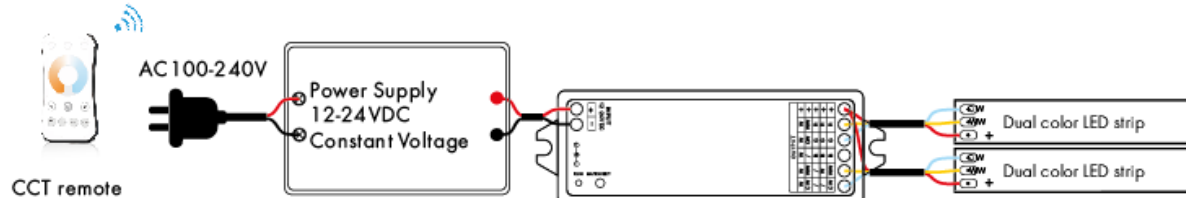
Press and hold match/set key for 14s, until the RUN LED indicator turn green, then release, the controller will become RGBW type, then do smart config by tuya APP, or short press match key to match with RGBW RF remote.

• For RGB



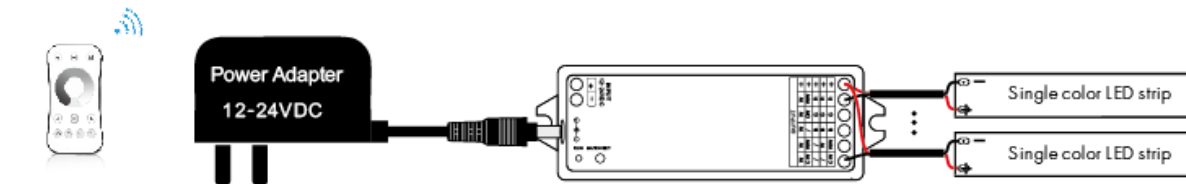
Press and hold match/set key for 12s, until the RUN LED indicator turn red, then release, the controller will become RGB type, then do smart config by tuya APP, or short press match key to match with RGB RF remote.

• For dual color CCT



Press and hold match/set key for 10s, until the RUN LED indicator turn yellow, then release, the controller will become CCT type, then do smart config by tuya APP, or short press match key to match with CCT RF remote.

• For single color



Press and hold match/set key for 8s, until the RUN LED indicator turn white, then release, the controller will become DIM type, then do smart config by tuya APP, or short press match key to match with dimming RF remote.

Note: User can connect constant voltage power supply or power adapter as power input.

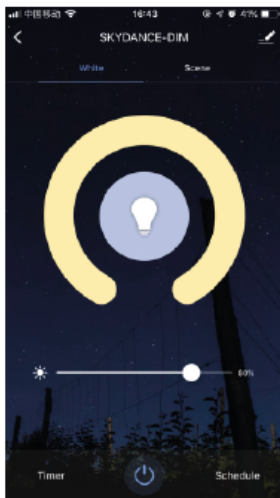
TUYA APP NETWORK CONNECTION

Press and hold Match/Set key for 2s, or push twice Match/Set key fastly, or when press and hold Match/Set key for 8-16s to set 5 kinds light type:
Clear previous network connection, enter Smart config mode, the purple LED indicator fast flash.

Press and hold Match/Set key for 5s:
Clear previous network connection, enter AP config mode, the purple LED indicator fast slow.
If smart config failed, please try AP config.

If Tuya APP network connection succeed, the RUN LED indicator will stop flash purple, and turn corresponding light type color (White: DIM, Yellow: CCT, Red: RGB, Green: RGBW, Blue: RGB+CCT).
and in Tuya APP, you can find SKYDANCE-RGB+CCT device (or other DIM, CCT, RGB or RGBW).

TUYA APP INTERFACE

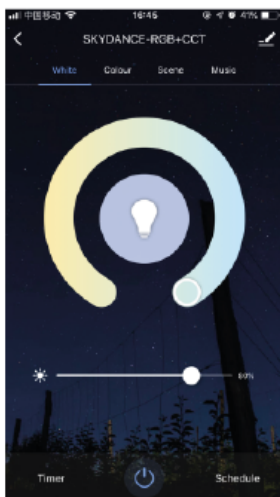


White interface

For DIM type:
Touch brightness slide to adjust brightness.

For RGB type:
Touch brightness slide, get RGB mixed white firstly, then to adjust white brightness.

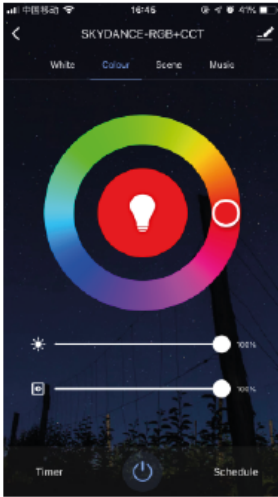
For RGBW type:
Touch brightness slide, adjust white channel brightness.



Color temperature interface

For CCT type:
Touch color wheel to adjust color temperature.
Touch brightness slide to adjust brightness.

For RGB+CCT type:
Touch color wheel to adjust color temperature, RGB will turn off automatically.
Touch brightness slide to adjust white brightness.



Colour interface

For RGB or RGBW type:
 Touch color wheel to adjust static RGB color.
 Touch brightness slide to adjust color brightness.
 Touch saturation slide to adjust color saturation, namely gradient from the current color to white(RGB mixed).

For RGB+CCT type:
 Touch color wheel to adjust static RGB color, WW/CW will turn off automatically.
 Touch brightness slide to adjust color brightness.
 Touch saturation slide to adjust color saturation, namely gradient from the current color to white (RGB mixed).



Scene interface

The 1-4 scene is static color for all light type.
 the inner color of these scene can be editable.

The 5-8 scene is dynamic mode for RGB, RGBW, RGB+CCT type,
 such as green fade in and fade out, RGB jump, δ color jump, δ color smooth.



Music, Timer, Schedule

The music play can use smart phone music player or micro-phone as music signal input.

The Timer key can turn on or turn off light in the next 24 hours.

The Schedule key can add multiple timers to turn on or turn off light according to different time periods.

WT5 MATCH REMOTE CONTROL (OPTIONAL)

End user can choose the suitable match/delete ways. Two options are offered for selection:

Use the WT5's Match key

Match:

Short press match key of WT5, immediately press on/off key (single zone remote) or zone key (multiple zone remote) on the remote. The LED indicator fast flash a few times means match is successful.

Delete:

Press and hold match key of WT5 for 20s, The LED indicator fast flash a few times means all matched remotes were deleted.

Use Power Restart

Match:

Switch off the power of WT5, then switch on power again, immediately short press on/off key (single zone remote) or zone key (multiple zone remote) 3 times on the remote. The light blinks 3 times means match is successful.

Delete:

Switch off the power of WT5, then switch on power again, immediately short press on/off key (single zone remote) or zone key (multiple zone remote) 5 times on the remote. The light blinks 5 times means all matched remotes were deleted.

WT5 WORK AS WIFI-RF CONVERTER TO MATCH RF LED CONTROLER

End user can choose the suitable match/delete ways. Two options are offered for selection:

Use the controller's Match key

Match:

Short press match key of the controller, immediately press on/off key on the Tuya APP. The LED indicator fast flash a few times means match is successful.

Delete:

Press and hold match key of the controller for 5s, The LED indicator fast flash a few times means all matched remotes were deleted.

Use Power Restart

Match:

Switch off the power of the controller, then switch on power again, immediately short press on/off key 3 times on the Tuya APP. The light blinks 3 times means match is successful.

Delete:

Switch off the power of the controller, then switch on power again, immediately short press on/off key 5 times on the Tuya APP. The light blinks 5 times means all matched remotes were deleted.

RGB DYNAMIC MODE LIST

For RGB/RGBW:

No.	Name	No.	Name
1	RGB jump	6	RGB fade in and out
2	RGB smooth	7	Red fade in and out
3	6 color jump	8	Green fade in and out
4	6 color smooth	9	Blue fade in and out
5	Yellow cyan purple smooth	10	White fade in and out

For RGB+CCT:

No.	Name	No.	Name
1	RGB jump	6	RGB fade in and out
2	RGB smooth	7	Red fade in and out
3	6 color jump	8	Green fade in and out
4	6 color smooth	9	Blue fade in and out
5	Color temperature smooth	10	White fade in and out