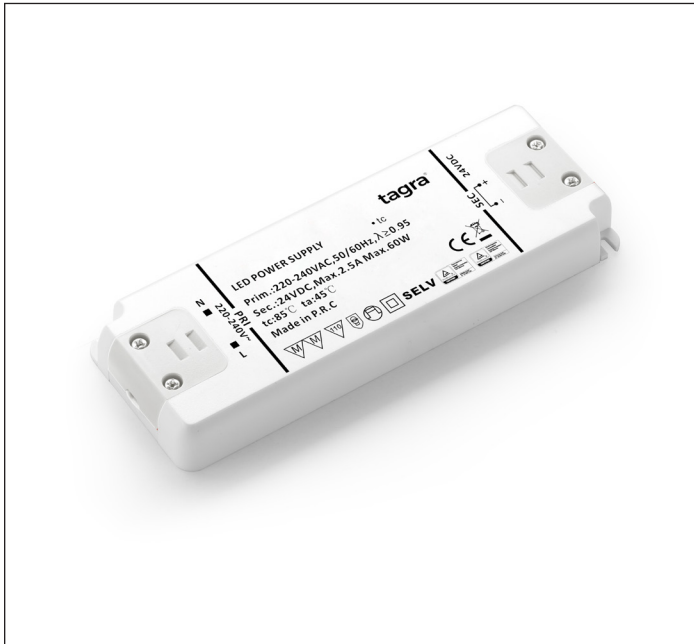
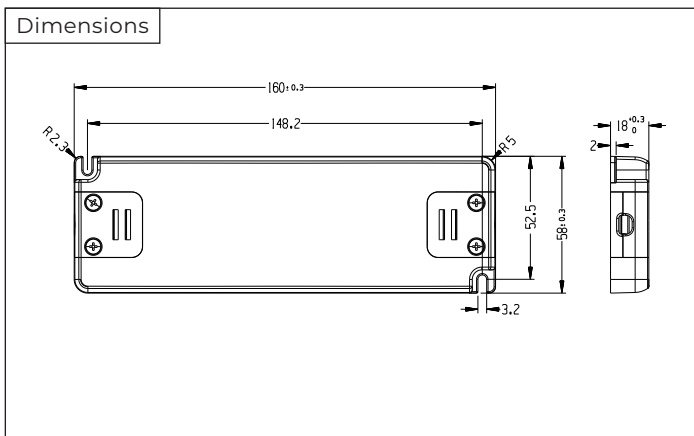


Professional LED Driver
24V Non-Dimmable - 60W

SKU: TAG24V60W



Output	
Start Up Time	< 0.5secs
Output Voltage	24V ±5%
Output Current	0 ~ 2.5A
Output Voltage Wave	< 3%
Output Overload	--
Dimming Mode	--
Dimming Range	--



Input	
Input Voltage	AC 200-240V
Input Frequency	50/60Hz
Input Current	< 0.35A
Input Power	< 68W
Efficiency	> 88%
Standby	< 0.5W
Inrush Current	< 30A
Power Factor	> 0.98

Mechanical	
Case Material	Plastic
Mounting	Independent
Insulation Type	Class II
IP Rating	IP20
Input Cables	Terminal
Output Cables	Terminal
Output Cable Length	Max. 2 Metres

Environment	
Operating Temp.	-20°C ~ +45°C
Relative Humidity	10% ~ 90%
Max. Case Temp.	90°C
Lifetime	50,000 Hrs
Working Noise	Yes

Safety & EMC	
Safety	IEC61347-1, IEC61347-2-13
Harmonic	EN61000-3-2 Class C
EMI	EN55015
EMS	EN61547

Protection	
Open Circuit	Yes
Overload	Yes
Short Circuit	Yes
Over Temperature	Yes
Over Voltage	Yes
Auto Recovery	Yes
Latch Off	--