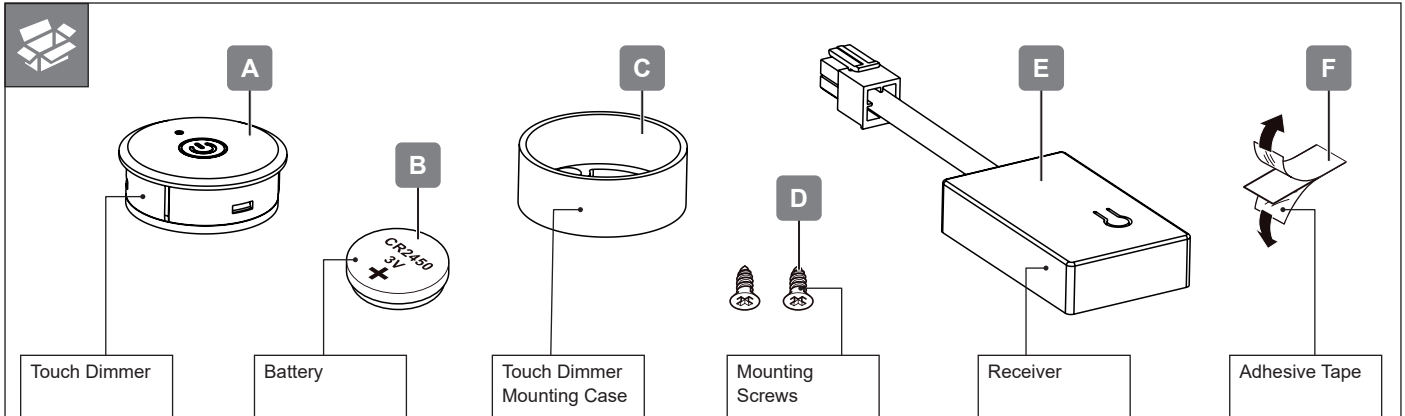


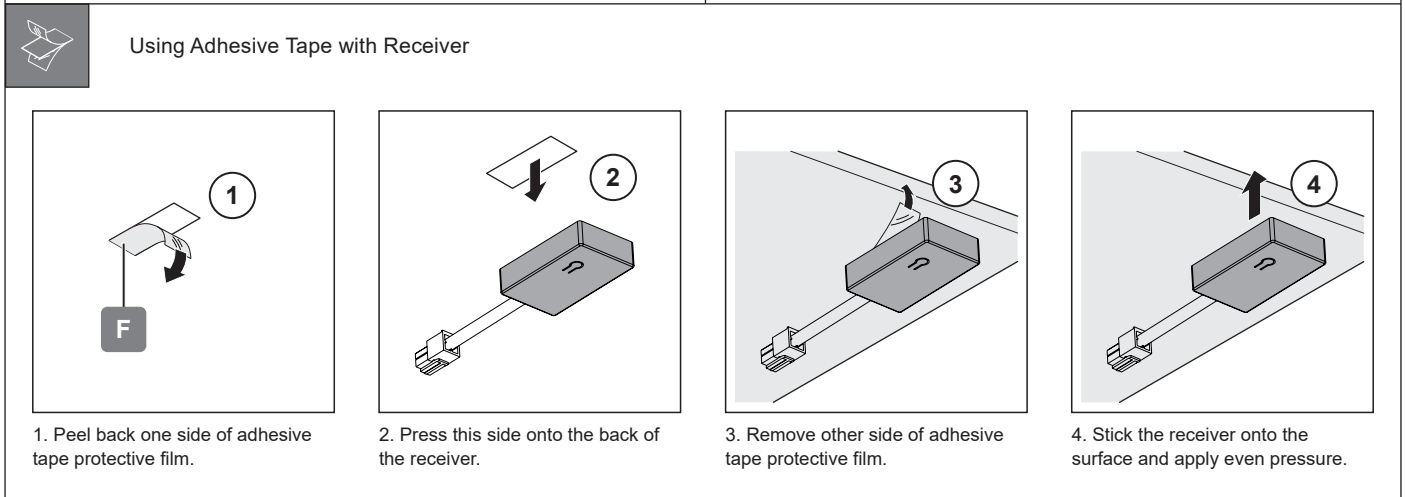
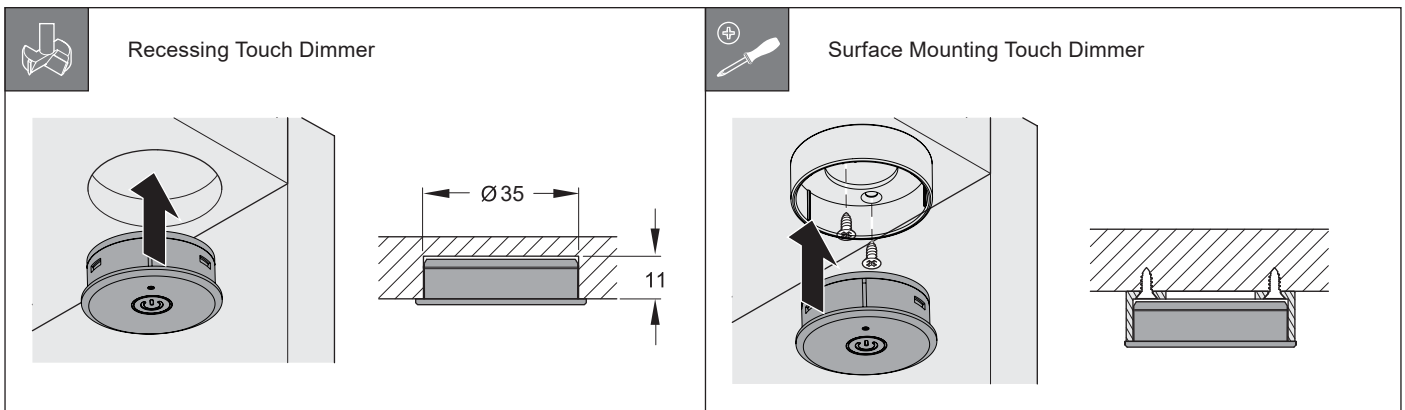


## Touch Dimmer & Receiver - Instructions for use

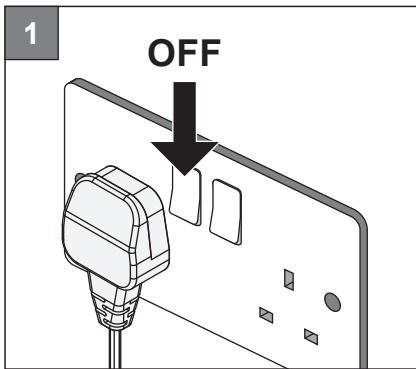
### Package Contains



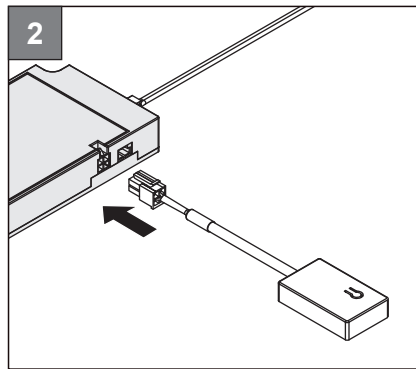
### Installation



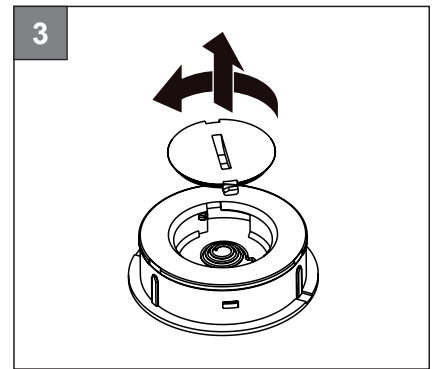
**Pairing to Driver**



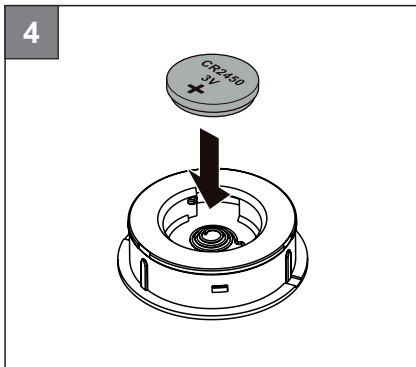
1. Turn off power to the driver.



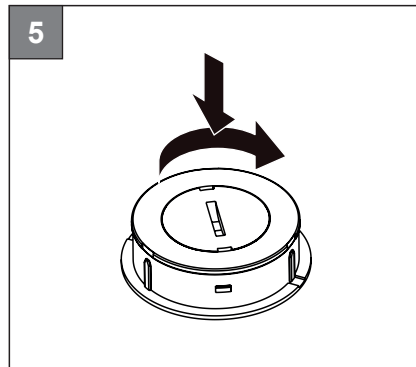
2. Connect the receiver unit into the side of the driver using the accessory port.



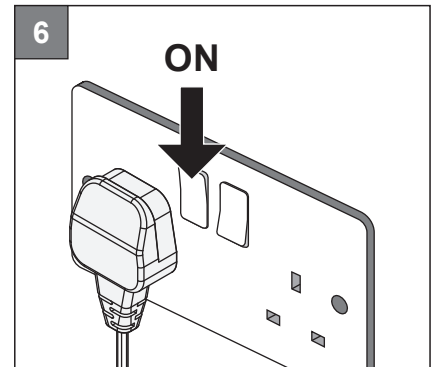
3. Remove the back of the touch dimmer using a coin.



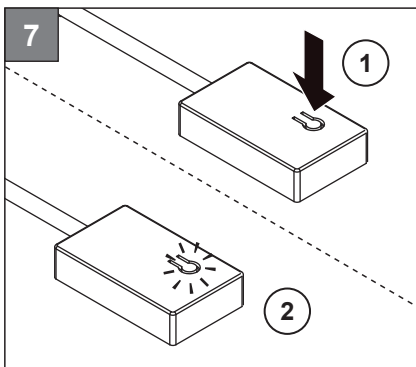
4. Insert the battery. The + should be facing upwards as shown.



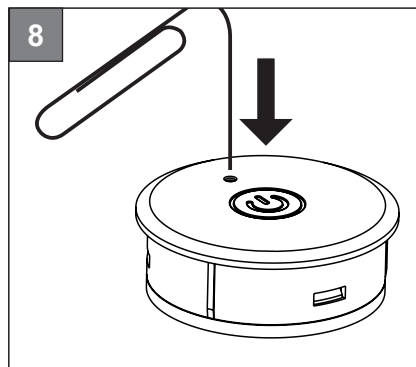
5. Replace the back of the touch dimmer.



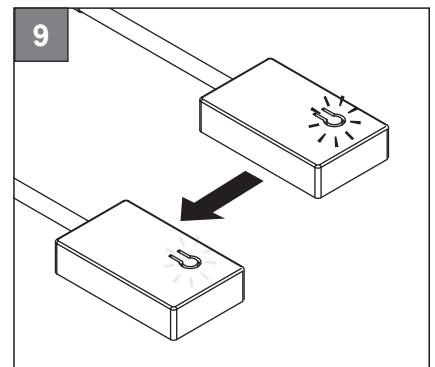
6. Turn on power to the driver.



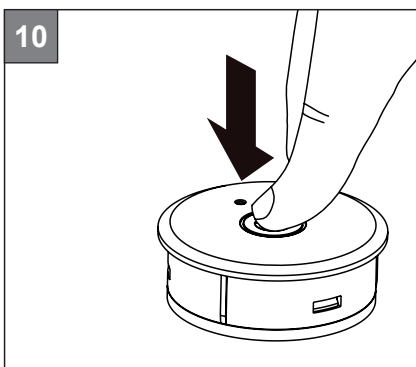
7. Press the button on the receiver unit, which will cause the LED to flash.



8. Using a small thin tool press the button through the hole in the top of the touch dimmer



9. The light on the receiver will stop flashing, indicating the products have paired.



10. Wait 5 seconds to use the touch dimmer. You should now have control of the lights.

**Note:**

- Distance between touch dimmer and receiver must be less than 10m for the signal to operate.
- Using a 'short press' on the touch dimmer will turn the lights on and off.
- Using a 'press and hold' on the touch dimmer will increase the brightness of the lights.
- A second 'press and hold' on the touch dimmer will decrease the brightness of the lights.