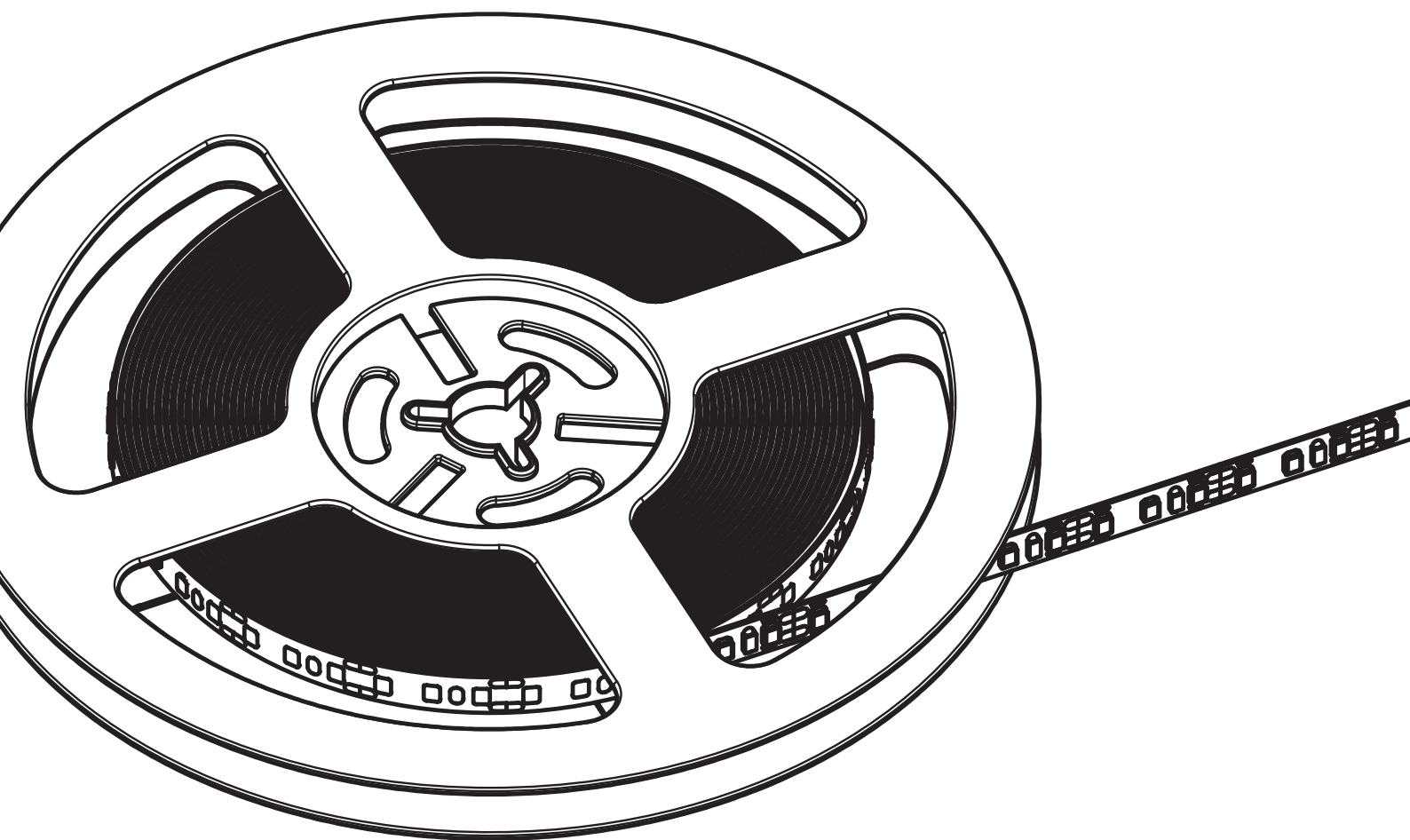


Plug & Play LED Strip Light User Manual



Precautions

Installation Notes

- ▶ Install in accordance with all local regulations.
- ▶ This product must be installed and serviced by a qualified, registered electrician.

Electrical

- ▶ Do not connect directly to mains electrical supply.
- ▶ This product must be used with a good quality constant voltage LED driver. Ensure that the voltage output of the driver matches rated voltage of the LED strip.
- ▶ Connect the strip with correct polarity. The positive input on the tape (+) should be connected to the positive output of the driver. The negative input on the tape (-) should be connected to the negative output of the driver.
- ▶ Ensure that the power capacity of the LED driver is greater than the total load of all the LED strip connected to it.
- ▶ The LED strip and cable should be protected by a fuse or equivalent device installed between the driver and LED strip and as close to the driver as possible.
- ▶ Ensure that the current capacity of cable connecting the LED strip to the driver is greater than the maximum drawn by the strip and the cut off of any overcurrent protection (fuse).
- ▶ To ensure consistent light, each 5m length should be connected directly to the driver.
- ▶ Protect the strip from static electricity.

Mechanical

- ▶ The strip will generate heat during use. It should be installed in a well ventilated location and applied to a surface that will dissipate this heat i.e. metal, not wood or plastic.
- ▶ The strip should be mechanically supported in addition to its self adhesive backing.
- ▶ Do not fold the LED strip or bend it side to side. The radius of any front to back bends should not be less than 60mm.
- ▶ Protect the strip from mechanical damage. Take care not to dislodge any components during installation. Ensure that wires connecting the strip cannot be pulled.

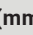

Environmental

- ▶ The ambient temperature of the application environment be between -20°C to +40°C. The temperature of the LED strip should never exceed 60°C when in operation.
- ▶ IP20 strip is not waterproof and can only be installed indoors and with humidity of no more than 55%.
- ▶ IP65 strip should only be exposed to water for short periods of time and humidity of no more than 80%.
- ▶ IP67 strip can withstand 1m underwater pressure for a short time and is suitable for indoor and outdoor installation.
- ▶ Install in a location without chemicals like sulphur, acid and halogen present.

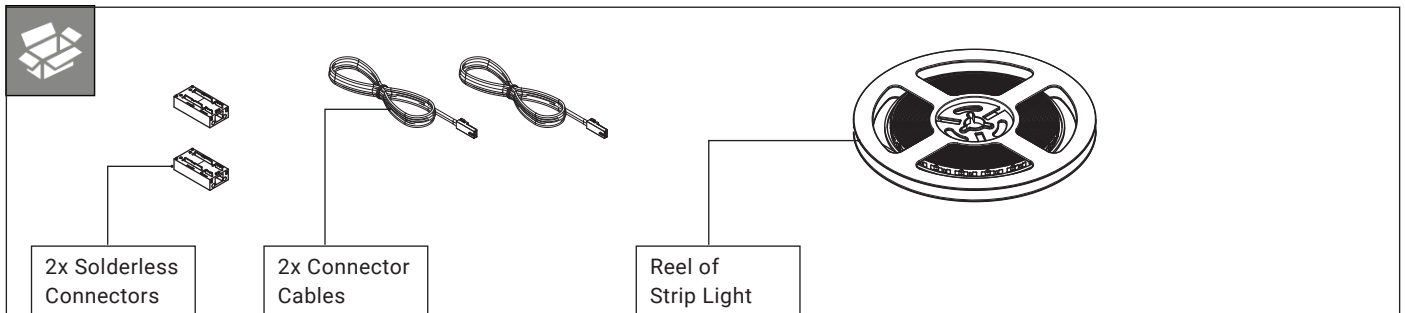
Product Warranty

1. A warranty period is provided for products in normal use. For any faults arising during the period that are confirmed to be quality related by inspection by the company, a product of the same specification will be replaced for free.
2. The warranty does not cover any of the following:
 - (1) Any product damage due to usage not allowed in the instructions.
 - (2) Any product damage due to disassembling or wrong operation by the user.
 - (3) Severe appearance damage or defromation of the product.

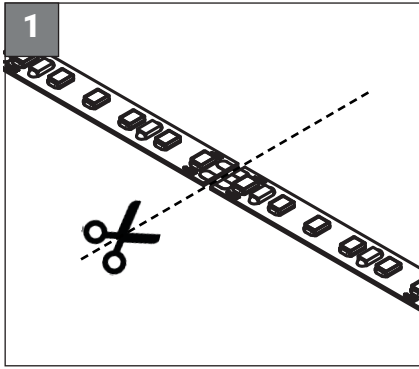
List of SKUs

	V	W	W/m	CCT	CRI	lm/m	lm/W		Cut ^(mm)	IP		LxWxH (mm)
PPS12-27K-60-5M-80	12	19.2	4.8	2700K	>80	450	102	120°	50	20	-25°C~40°C	5000x8x1.5
PPS12-27K-60-5M-80-IP	12	19.2	4.8	2700K	>80	396	90	120°	50	65	-25°C~40°C	5000x10x4.8
PPS12-3K-60-5M-80	12	19.2	4.8	3000K	>80	480	109	120°	50	20	-25°C~40°C	5000x8x1.5
PPS12-3K-60-5M-80-IP	12	19.2	4.8	3000K	>80	442.4	96	120°	50	65	-25°C~40°C	5000x10x4.8
PPS12-4K-60-5M-80	12	19.2	4.8	4000K	>80	520	118	120°	50	20	-25°C~40°C	5000x8x1.5
PPS12-4K-60-5M-80-IP	12	19.2	4.8	4000K	>80	457.6	104	120°	50	65	-25°C~40°C	5000x10x4.8
PPS12-6K-60-5M-80	12	19.2	4.8	6000K	>80	500	113	120°	50	20	-25°C~40°C	5000x8x1.5
PPS12-6K-60-5M-80-IP	12	19.2	4.8	6000K	>80	440	100	120°	50	65	-25°C~40°C	5000x10x4.8
PPS12-27K-120-5M-80	12	33.5	9.6	2700K	>80	900	102	120°	25	20	-25°C~40°C	5000x8x1.5
PPS12-27K-120-5M-80-IP	12	33.5	9.6	2700K	>80	792	90	120°	25	65	-25°C~40°C	5000x10x4.8
PPS12-3K-120-5M-80	12	33.5	9.6	3000K	>80	960	109	120°	25	20	-25°C~40°C	5000x8x1.5
PPS12-3K-120-5M-80-IP	12	33.5	9.6	3000K	>80	844	95	120°	25	65	-25°C~40°C	5000x10x4.8
PPS12-4K-120-5M-80	12	33.5	9.6	4000K	>80	1040	118	120°	25	20	-25°C~40°C	5000x8x1.5
PPS12-4K-120-5M-80-IP	12	33.5	9.6	4000K	>80	915	103	120°	25	65	-25°C~40°C	5000x10x4.8
PPS12-6K-120-5M-80	12	33.5	9.6	6000K	>80	1000	113	120°	25	20	-25°C~40°C	5000x8x1.5
PPS12-6K-120-5M-80-IP	12	33.5	9.6	6000K	>80	880	100	120°	25	65	-25°C~40°C	5000x10x4.8

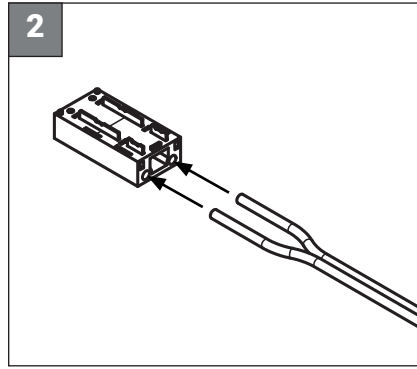
Package Contains



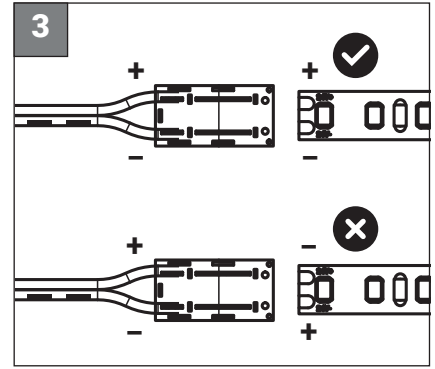
Instructions



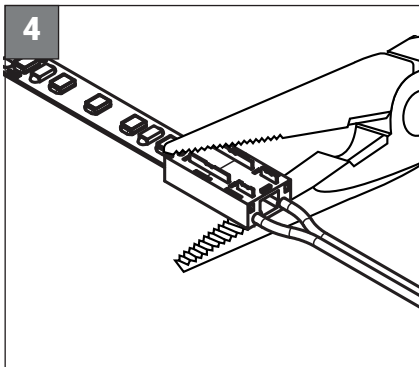
1. Cut the strip light at your desired length using the marked cut-points.



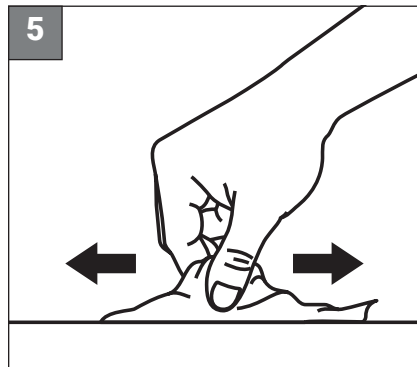
2. Insert wires into the solderless connector.



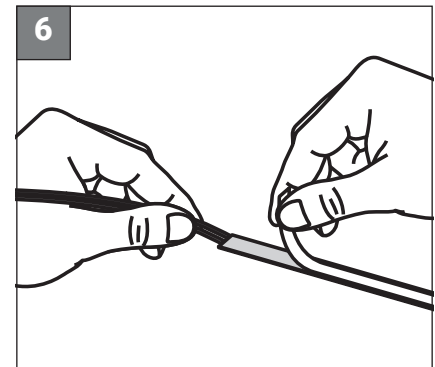
3. Insert strip light into the solderless connector and check the polarity.



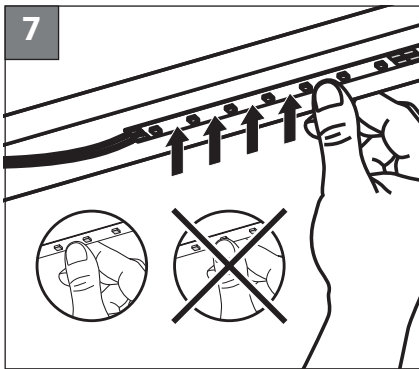
4. Compress the metal clips on the solderless connector to secure the wire and strip light.



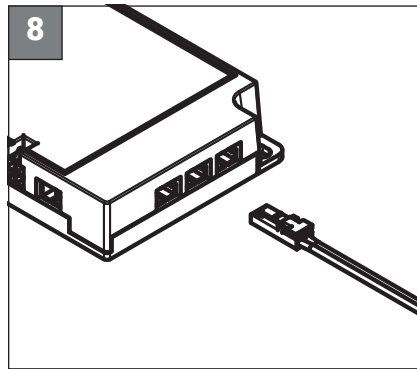
5. Make sure the installation surface is clean and free of dust.



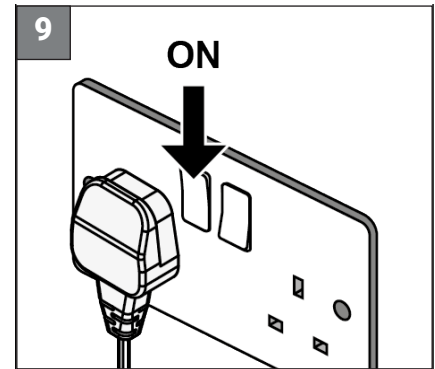
6. Remove 3M backing from the underside of the strip light.



7. Install the strip light onto the surface. When pressing down, make sure you press inbetween the LED diodes.



8. Insert sydeo connector into the driver.



9. Turn on power to the driver.

