




SYNDEO BY TAGRA® - 24V PLUG AND PLAY MULTI-PORT LED DRIVER



-  syndeosystem.com
-  0800 088 3300
-  orders@syndeosystem.com

FEATURES & BENEFITS

- Wiresafe Technology
- Plug & Play Simplicity
- A new level of safety
- Professional Integration
- Premium Interactivity



TECHNICAL INFORMATION

| Drivers | 30W | 60W | 80W |
|--------------------------|----------------|----------------|----------------|
| SKU Code | SYN-24V30W | SYN-24V60W | SYN-24V80W |
| Input Voltage | AC220-240V | AC220-240V | AC220-240V |
| Output Voltage | 24V | 24V | 24V |
| Input Current | 0.2A | 0.38A | 0.5A |
| Max Total Output Current | 1.25A | 2.5A | 3.33A |
| Output Current Per Port | 1.25A | 2.75A | 2.75A |
| Frequency | 50/60Hz | 50/60Hz | 50/60Hz |
| Inrush Current | 8.56A | 58.6A | 61A |
| Power Factor | PF>0.9 | PF>0.9 | PF>0.9 |
| Short Circuit Protection | Yes | Yes | Yes |
| Overload Protection | Yes | Yes | Yes |
| Thermal Protection | Yes | Yes | Yes |
| Surge Protection | Yes | Yes | Yes |
| Working Temperature | -15°C to +45°C | -15°C to +45°C | -15°C to +45°C |
| Efficiency | >85% | >85% | >85% |
| IP Rating | IP20 | IP20 | IP20 |
| Certification | CCC/TUV-CE/CB | CCC/TUV-CE/CB | CCC/TUV-CE/CB |

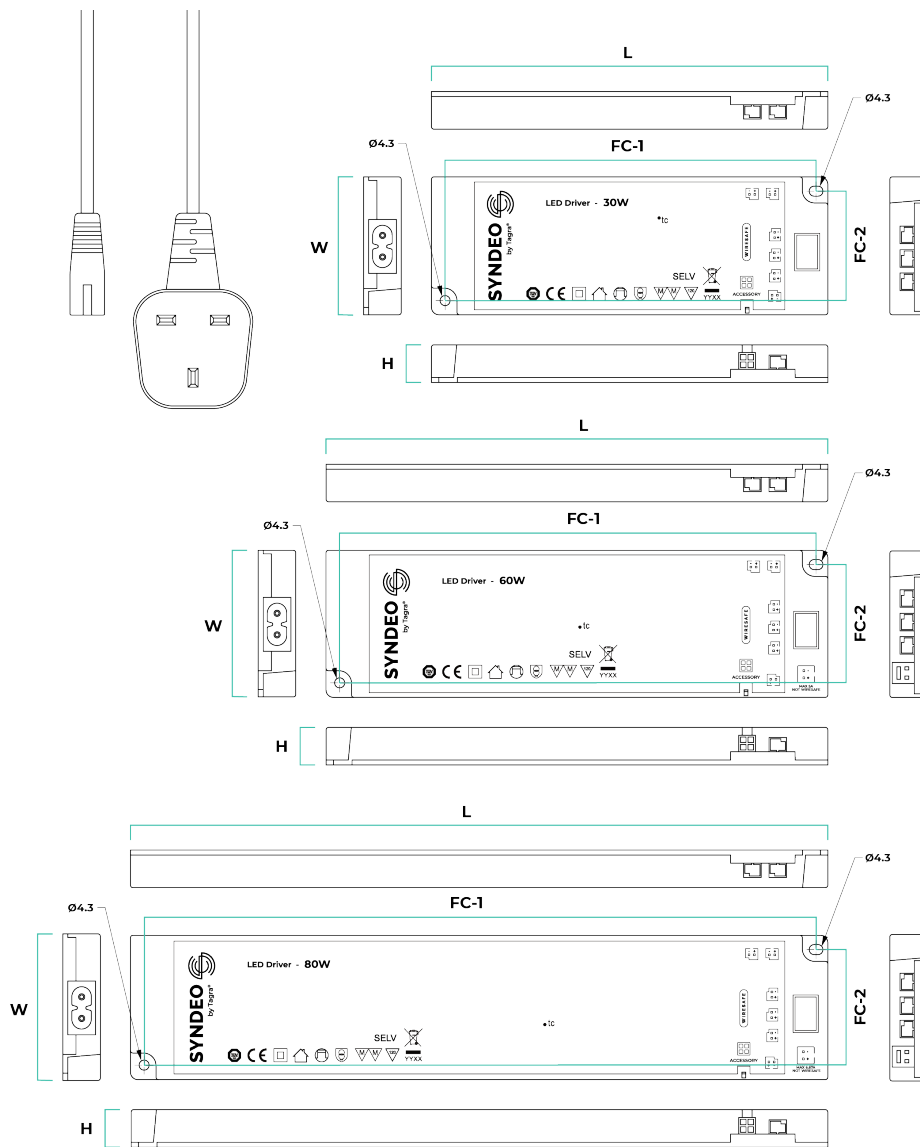
PRODUCT OVERVIEW

Syndeo by Tagra® delivers a safe and simple, plug and play LED lighting system for professionals and DIY-ers alike.

WIRESAFE

This technology monitors the current being delivered to the ports and automatically cuts off power if the port exceeds 2.75A. This feature included in all Syndeo drivers offers a level of protection that's revolutionary to the driver market and conforms to DC Retail Lighting Standards.

| Drivers | 30W | 60W | 80W |
|--------------------|-------------------------------------|-------------------------------------|-------------------------------------|
| Safety Standards | EN5022/ EN55015:2013/ A1:2015 | EN5022/ EN55015:2013/ A1:2015 | EN5022/ EN55015:2013/ A1:2015 |
| Power Connection | IEC C7 Figure 8 | IEC C7 Figure 8 | IEC C7 Figure 8 |
| Power Cable Length | 1500mm | 1500mm | 1500mm |
| Number of Ports | 6 | 6 | 6 |
| Accessory Port | Yes | Yes | Yes |



30W Driver

- Length - 158mm
- Width - 56mm
- Height - 16.5mm
- Weight - 0.12kg
- FC-1 - 148.3mm
- FC-2 - 46mm

60W Driver

- Length - 199mm
- Width - 60mm
- Height - 16.5mm
- Weight - 0.25kg
- FC-1 - 189.3mm
- FC-2 - 50mm

80W Driver

- Length - 276mm
- Width - 60mm
- Height - 16.5mm
- Weight - 0.346kg
- FC-1 - 266.3mm
- FC-2 - 50mm

DRIVER DIAGRAMS